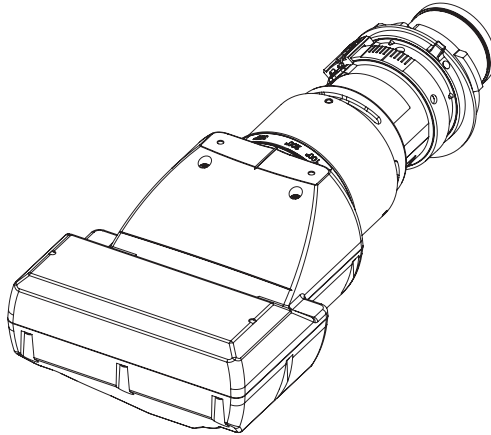


# Panasonic®

## Operating Instructions

Fixed-Focus Lens **Commercial Use**

Model No. ET-DLE035



ENGLISH

FRANÇAIS

日本語

Thank you for purchasing this Panasonic product.

- To ensure correct use of this lens, please read the operating instructions supplied with the lens and the projector carefully.
- **Before using this product, be sure to read “Read this first!” (▶Page 3).**
- Please save this manual for future use.

### Product information (for Turkey only)

EEE Yönetmeliğine Uygundur.

EEE Complies with Directive of Turkey.

DPQX1334ZB/X1

# Contents

<b>Read this first!</b> .....	<b>3</b>
<b>Before Use</b> .....	<b>4</b>
<b>Attaching the Lens / Detaching the Lens</b> .....	<b>4</b>
Before replacing the projection lens .....	4
Attaching the Lens.....	5
Detaching the Lens .....	6
<b>Projection relationships</b> .....	<b>7</b>
<b>Lens position setup and focus adjustment</b> .....	<b>9</b>
Lens position setup .....	9
Focus Adjustment Function .....	12
<b>Specifications</b> .....	<b>13</b>
<b>Dimensions</b> .....	<b>13</b>
<b>Dimensional relationship</b> .....	<b>Appendix / Annexe / 付録 1</b>

The "Appendix" can be found after the Japanese language section ( **日本語** ).

## WARNING:

**Do not look at or place your skin into the light emitted from the lens while the projector is being used.**

Doing so can cause burns or loss of sight.

- Strong light is emitted from the projector's lens. Do not look at or place your hands directly into this light.
- Turn off the power when moving away from the projection lens or projector.

**Do not project an image with the lens cover attached.**

- Doing so can cause fire.

## CAUTION:

**Before replacing the projection lens, be sure to turn off the power and disconnect the power plug from the wall outlet.**

- Unexpected projection of light may cause injury to eyes.
- Replacing the projection lens without removing the power plug may result in electric shock.

**Do not stand in front of the lens while the projector is being used.**

Doing so can cause damage and burns to clothing.

- Strong light is emitted from the projector's lens.

**Do not place objects in front of the lens while the projector is being used.**

Doing so can cause fire, damage to the object, or malfunction of the lens and projector.

- Strong light is emitted from the projector's lens.

**Do not open the desiccant bag. Do not eat the contents.**

Inadvertently ingesting desiccant could be harmful.

- If the desiccant gets into your eyes or mouth, immediately rinse with plenty of water and seek medical attention.
- Keep desiccant out of the reach of children.

# Before Use

## Supported projectors



PT-RZ120 / PT-RZ970 / PT-RW930 / PT-RX110 / PT-RZ870 / PT-RZ770 / PT-RW730 / PT-RZ660 / PT-RW620 / PT-DZ870 / PT-DW830 / PT-DX100 / PT-DZ780 / PT-DW750 / PT-DX820

### Note

- Models other than the above may also be supported. Refer to the operating instructions of the projector you are using.
- In this document, the alphabet letters at the end of the projector part numbers are omitted.

## Supplied Accessories

Make sure that the following has been provided. Numbers enclosed in < > show the number of accessories.

<p>Lens cap &lt;1&gt;</p>  <p>(The product is delivered with a lens cap attached.)</p>	<p>Lens shift gauge &lt;1&gt;</p> 
---	---

# Attaching the Lens / Detaching the Lens

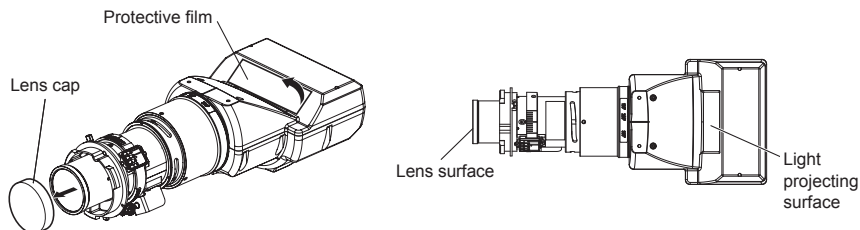
## Before replacing the projection lens

Return the projection lens to the home position before replacing or removing it.

For details on how to return the lens to the home position, refer to the operating instructions of the projector.

### Attention

- Make sure that the projector power supply is switched off before attaching or detaching the projection lens.
- After removing the projection lens, store it safely away from vibration or impacts.
- Do not touch the electric contact points of the projection lens with your fingers. Dust and dirt on the contacts may cause contact malfunctions.
- Before attaching the Fixed-focus lens, remove the protective film from the light projecting surface and the lens cap from the lens.

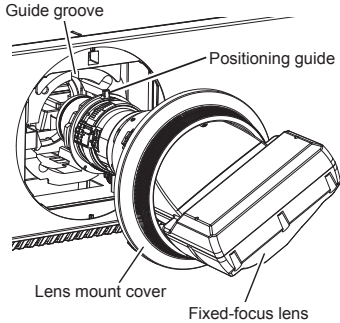


- Be sure not to touch the light projecting surface or the surface of the lens. Any fingerprints or smudges on these surfaces will be magnified and lower the quality of the image displayed on the screen.
- The light projecting surface and lens are made of glass. The lens could be damaged if brought into contact with or rubbed against hard objects. Handle the lens carefully.
- Use a clean, soft, and dry cloth to wipe away dust and dirt from the light projecting surface and projection lens. Do not use fluffy cloths containing oil, water or dust for cleaning.
- When the Fixed-focus lens is removed from the projector, place it with the light projecting surface facing downwards.

# Attaching the Lens / Detaching the Lens (continued)

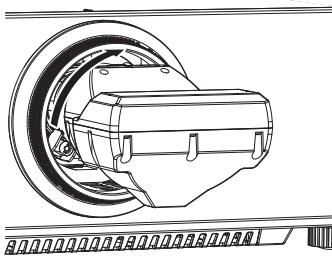
## Attaching the Lens

\* Unless specified otherwise, the illustrations in these operating instructions show the lens used with the PT-DZ870 projector.



- 1) **With this lens already passed through the lens mount cover that came with your projector, align the positioning guide with the guide groove on the projector, and insert the lens fully.**

- There is a red dot at the bottom right end of the positioning guide.



- 2) **Turn the fixed-focus lens clockwise until you hear a click.**
- 3) **Attach the lens mount cover to the projector.**

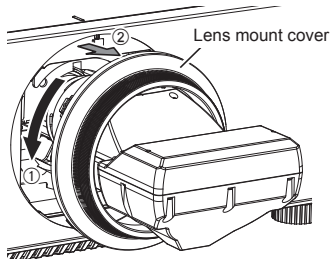
- Turn the lens mount cover clockwise to fix it in place.

### Attention

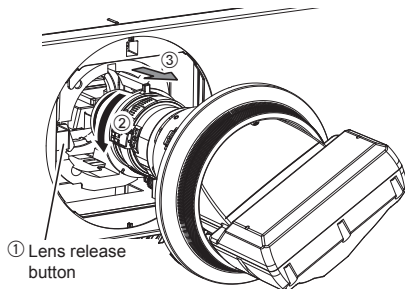
- Gently turn the projection lens counterclockwise to check that it will not fall out.

## Attaching the Lens / Detaching the Lens (continued)

### Detaching the Lens



- 1) Turn the lens mount cover counterclockwise to detach it from the lens and slide it towards the front end of the lens.



- 2) Hold down the lens release button while turning the lens counterclockwise to release it.
- 3) Turn the lens mount cover clockwise to reattach it.

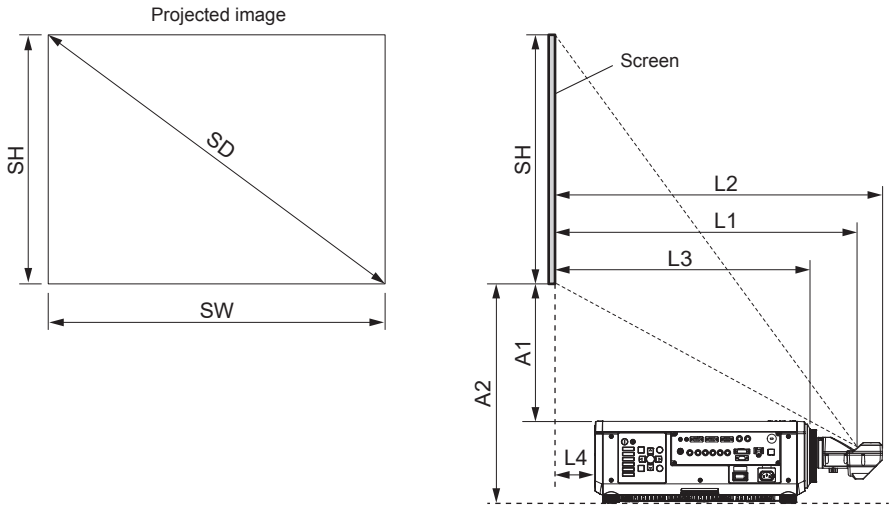
#### Attention

- Attach the supplied lens cap before storing the lens.

# Projection relationships

The dimensional relationship between the screen and the projector is shown below.

## ■ Dimensional relationship diagram



### Note

- The indications of this illustration are premised on aligning the projected image size and position to the full screen.
- This illustration is not drawn to scale.

SH	Projected image height	L3	Screen to projector front end
SW	Projected image width	L4	Screen to projector rear end
SD	Diagonal length of the projected image	A1	Bottom edge of the screen to the top of the projector
L1	Projection distance (from screen to mirror reflective surface*)	A2	Bottom edge of the screen to the bottom of the projector
L2	Screen to lens front end		

\* The mirror reflective surface is inside the fixed-focus lens, and is not visible from the outside.

### Note

- The illustrations of projectors in this manual are for informational purposes only and do not represent a specific projector model. Configurations may vary with the model.
- Dimension L4 is the distance from the projector rear panel to the screen.
- Dimension A2 is the distance from the bottom edge of the screen to the bottom of the adjustable projector legs (with the legs fully screwed in).

### Attention

- Dimension L4 is not the distance from the projector rear panel to a wall, but the distance from the projector rear panel to the screen. To prevent obstruction of the intake and exhaust vents, install the projector with a clearance at least 500 mm (19-11/16") from walls and objects.

When placing the projector in a confined space, a ventilation and/or air conditioning system is required. Exhaust heat may accumulate when the ventilation is not sufficient triggering the protection circuit of the projector.

- Avoid setting up in places which are subject to sudden temperature changes, such as near an air conditioner or lighting equipment (studio lamps, etc.).

# Projection relationships (continued)

## ■ Dimensional relationship

- When using one of PT-RZ120 / PT-RZ970 / PT-RW930 / PT-RX110 / PT-RZ870 / PT-RZ770 / PT-RW730 / PT-RZ660 / PT-RW620 / PT-DZ870 / PT-DW830 / PT-DX100 / PT-DZ780 / PT-DW750 / PT-DX820

For details on projection distance (L1), and A1, A2, L2, L3 and L4 values, refer to "Projected image size and Projection distance" or "Projection distance formulas" in the Appendix.

- When using a projector other than one listed above

Please see "Setting up" in the operating instructions for the projector you are using.

## ■ Keystone distortion correction

When attaching this lens for use, regardless of the projector model, set up the projector so that the projected image is rectangular and the back of the projector and the screen are parallel.

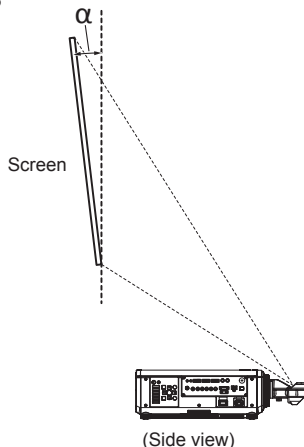
In addition, depending on the projector used, keystone distortion correction may be feasible after setup.

- When using one of PT-RZ120 / PT-RZ970 / PT-RW930 / PT-RX110 / PT-RZ870 / PT-RZ770 / PT-RW730 / PT-RZ660 / PT-RW620 / PT-DZ870

For keystone distortion in the vertical direction generated within the angle range below, select [MAIN MENU] → [POSITION] → [GEOMETRY] / [GEOMETRY(2D)] → [KEystone] → [VERTICAL KEystone] to perform correction.

Keystone distortion in the vertical direction greater than this angle and keystone distortion in the horizontal direction can be corrected but the projected image overall will no longer be in focus.

Correction feasible angle ( $\alpha$ ): 0 - 5°



- When using one of PT-DW830 / PT-DX100 / PT-DZ780 / PT-DW750 / PT-DX820

If keystone distortion in vertical direction or horizontal direction is corrected, the projected image overall will no longer be in focus. Set up the projector so that the projected image is rectangular and the back of the projector and the screen are parallel.

- When using a projector other than one listed above

Please see "Setting up" in the operating instructions for the projector you are using.

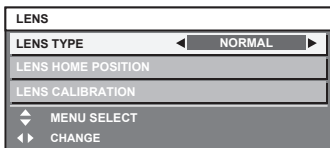
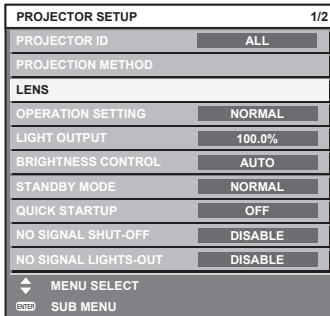
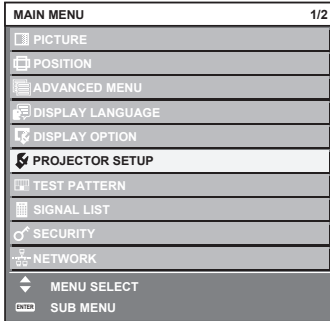


# Lens position setup and focus adjustment

## Lens position setup

- When using PT-RZ120

When moving the lens position to the home position, perform the operation with the following procedure.



- 1) Turn on the projector to start the projection.
- 2) Press the <MENU> button to display the [MAIN MENU] screen.
- 3) Select [PROJECTOR SETUP] in the main menu and then press the <ENTER> button.
- 4) Select [LENS] in the [PROJECTOR SETUP] menu and then press the <ENTER> button.
  - The [LENS] screen appears.
- 5) Select [LENS TYPE] on the [LENS] screen and then use the ◀▶ buttons to select [ET-DLE035].
  - Each press of the ◀▶ buttons switches the item to [NORMAL] or [ET-DLE035].
- 6) Select [LENS HOME POSITION] on the [LENS] screen and then press the <ENTER> button.
  - A confirmation screen appears.
- 7) Use the ◀▶ buttons to select [OK] and then press the <ENTER> button.
  - [PROGRESS] is displayed on the [HOME POSITION] screen and the projection lens moves to the home position.

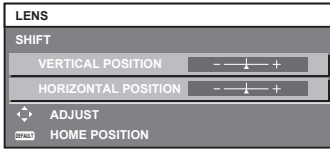
### Note

- If [LENS TYPE] is mistakenly set to [NORMAL], the projection lens will not move to the correct home position.

## Lens position setup and focus adjustment (continued)

- When using one of PT-RZ970 / PT-RW930 / PT-RX110 / PT-RZ870 / PT-RZ770 / PT-RW730 / PT-RZ660 / PT-RW620 / PT-DZ780 / PT-DW750 / PT-DX820

When moving the lens position to the lens standard position, perform the operation with the following procedure.

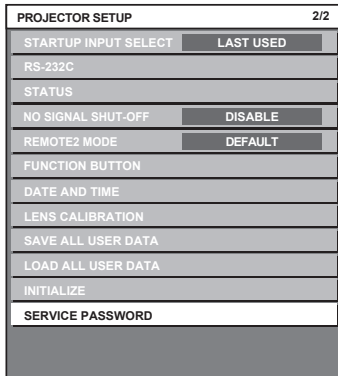
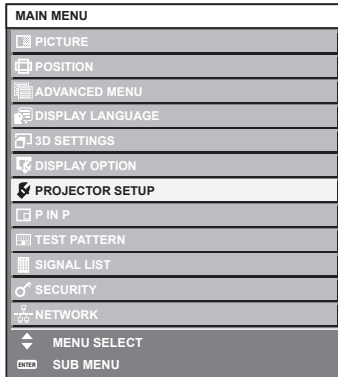


- 1) Turn on the projector to start the projection.
- 2) Press the <SHIFT> button on the remote control.
  - The shift adjustment screen appears.
- 3) Press the <DEFAULT> button on the remote control while the shift adjustment screen is displayed.
  - The [HOME POSITION] screen appears.
- 4) Use the ◀▶ buttons to select [ET-DLE030].
  - Each press of the ◀▶ buttons switches the item to [NORMAL] or [ET-DLE030].
- 5) Press the <ENTER> button.
  - [PROGRESS] is displayed on the [HOME POSITION] screen and the lens position moves to the lens standard position for ET-DLE035.

# Lens position setup and focus adjustment (continued)

- When using one of PT-DZ870 / PT-DW830 / PT-DX100

When moving the lens position to the lens standard position, perform the operation with the following procedure.



- 1) Turn on the projector to start the projection.
- 2) Press the <MENU> button to display the [MAIN MENU] screen.
- 3) Select [PROJECTOR SETUP] in the main menu and then press the <ENTER> button.
- 4) Select [SERVICE PASSWORD] in the [PROJECTOR SETUP] menu and then press the <ENTER> button.
  - The [SERVICE PASSWORD] input screen appears.
- 5) Use the <0> and <3> numeric buttons on the remote control to enter “030” in the [SERVICE PASSWORD] input screen and then press the <ENTER> button.
  - The [DLE030 POSITION] screen appears.
- 6) Press the <ENTER> button on the [DLE030 POSITION] screen.
  - [PROGRESS] is displayed on the [DLE030 POSITION] screen and the lens position moves to the standard position for ET-DLE035.

## Note

- After returning the lens to the standard projection position, lens shift adjustments are possible within the range where the projector will not interfere with the edges of the projected image.
- If the rear of the projector blocks the bottom edge of the projected image, it may also obscure the view of an On-screen display (OSD) that is positioned at the lower edge of the screen. If this happens, open the [DISPLAY OPTIONS] menu and select [ON-SCREEN DISPLAY] → [OSD POSITION] to change display location so that the whole OSD menu can be seen.

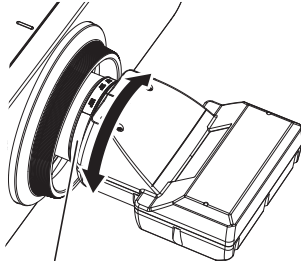
# Lens position setup and focus adjustment (continued)

## Focus Adjustment Function

After setting the lens position, adjust the focus.

The focal balance between the center and periphery of the projected image changes depending on the size of the projected image. The lens is equipped with a focus balance adjustment function for the screen periphery.

### ■ Adjusting the Focus



Periphery focus adjustment ring

- 1) **Focus the center of the screen by operating the projector unit.**
- 2) **Turn the periphery focus ring by hand as shown in the figure to adjust the focus in the periphery of the screen.**
- 3) **Again check focus at the center of the screen and use the projector controls to make fine adjustments.**

#### Note

- The projected image sizes and scale shown on the periphery focus adjustment ring are an approximate guide.

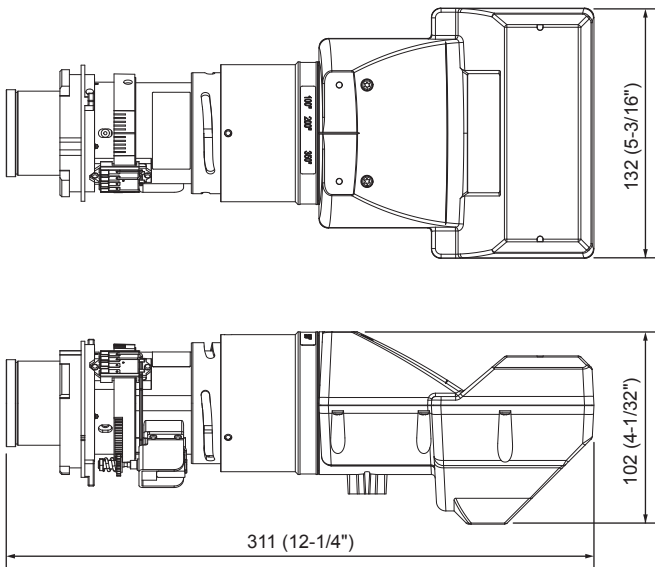
# Specifications

F value	2.0
Focal Length (f)	5.3 mm (7/32")
Dimensions* <sup>1</sup>	Width 132 mm (5-3/16") Height 102 mm (4-1/32") Depth 311 mm (12-1/4")
Net Weight	Approx. 1.3 kg (2.9 lb)

\*1: Excluding protrusions.

# Dimensions

(Unit: mm)



## English

**Manufactured by:**

Panasonic Connect Co., Ltd.  
4-1-62 Minoshima, Hakata-ku, Fukuoka 812-8531,  
Japan

**Importer:**

Panasonic Connect Europe GmbH

**Authorized Representative in EU:**

Panasonic Testing Centre  
Winsbergring 15, 22525 Hamburg, Germany

**Importer for UK;**

Panasonic Connect UK,  
a branch of Panasonic Connect  
Europe GmbH,  
Maxis 2, Western Road, Bracknell,  
Berkshire, RG12 1RT



## Italiano

**Fabbricato da:**

Panasonic Connect Co., Ltd.  
4-1-62 Minoshima, Hakata-ku, Fukuoka 812-8531,  
Giappone

**Importatore:**

Panasonic Connect Europe GmbH

**Rappresentante autorizzato nell'UE:**

Panasonic Testing Centre  
Winsbergring 15, 22525 Amburgo, Germania

## Français

**Fabriqué par:**

Panasonic Connect Co., Ltd.  
4-1-62 Minoshima, Hakata-ku, Fukuoka 812-8531,  
Japan

**Importateur :**

Panasonic Connect Europe GmbH

**Représentant autorisé dans l'UE :**

Panasonic Testing Centre  
Winsbergring 15, 22525 Hambourg, Allemagne

## Български

**Производител:**

Panasonic Connect Co., Ltd.  
4-1-62 Minoshima, Hakata-ku, Fukuoka 812-8531,  
Япония

**Вносител:**

Panasonic Connect Europe GmbH

**Упълномощен представител в ЕС:**

Panasonic Testing Centre  
Winsbergring 15, 22525 Hamburg, Германия

## Español

**Fabricado por:**

Panasonic Connect Co., Ltd.  
4-1-62 Minoshima, Hakata-ku, Fukuoka 812-8531,  
Japón

**Importador:**

Panasonic Connect Europe GmbH

**Representante Autorizado para la UE:**

Panasonic Testing Centre  
Winsbergring 15, 22525 Hamburgo, Alemania

## Čeština

**Vyrobil:**

Panasonic Connect Co., Ltd.  
4-1-62 Minoshima, Hakata-ku, Fukuoka 812-8531,  
Japonsko

**Dovozce:**

Panasonic Connect Europe GmbH

**Oprávněný zástupce v EU:**

Panasonic Testing Centre  
Winsbergring 15, 22525 Hamburk, Německo

## Deutsch

**Hergestellt von:**

Panasonic Connect Co., Ltd.  
4-1-62 Minoshima, Hakata-ku, Fukuoka 812-8531,  
Japan

**Importeur:**

Panasonic Connect Europe GmbH

**Vertretungsberechtigter in der EU:**

Panasonic Testing Centre  
Winsbergring 15, 22525 Hamburg, Deutschland

## Dansk

**Fremstillet af:**

Panasonic Connect Co., Ltd.  
4-1-62 Minoshima, Hakata-ku, Fukuoka 812-8531,  
Japan

**Importør:**

Panasonic Connect Europe GmbH

**Autoriseret repræsentant i EU:**

Panasonic Testing Centre  
Winsbergring 15, 22525 Hamburg, Tyskland

## Eesti

**Tootja:**

Panasonic Connect Co., Ltd.  
4-1-62 Minoshima, Hakata-ku, Fukuoka 812-8531,  
Jaapan

**Maaletooja:**

Panasonic Connect Europe GmbH

**Volitatud esindaja ELis:**

Panasonic Testing Centre  
Winsbergring 15, 22525 Hamburg, Saksamaa

## Lietuvių

**Gamintojas:**

Panasonic Connect Co., Ltd.  
4-1-62 Minoshima, Hakata-ku, Fukuoka 812-8531,  
Japonija

**Importuotojas:**

Panasonic Connect Europe GmbH

**Igaliotasis atstovas ES:**

Panasonic Testing Centre  
Winsbergring 15, 22525 Hamburgas, Vokietija

## Ελληνικά

**Κατασκευάστηκε από:**

Panasonic Connect Co., Ltd.  
4-1-62 Minoshima, Hakata-ku, Fukuoka 812-8531,  
Ιαπωνία

**Εισαγωγέας:**

Panasonic Connect Europe GmbH

**Εξουσιοδοτημένος αντιπρόσωπος στην ΕΕ:**

Panasonic Testing Centre  
Winsbergring 15, 22525 Hamburg, Γερμανία

## Magyar

**Gyártotta:**

Panasonic Connect Co., Ltd.  
4-1-62 Minoshima, Hakata-ku, Fukuoka 812-8531,  
Japán

**Importőr:**

Panasonic Connect Europe GmbH

**Hivatalos képviselő az EU-ban:**

Panasonic Testing Centre  
Winsbergring 15, 22525 Hamburg, Németország

## Hrvatski

**Proizvodi:**

Panasonic Connect Co., Ltd.  
4-1-62 Minoshima, Hakata-ku, Fukuoka 812-8531,  
Japan

**Uvoznik:**

Panasonic Connect Europe GmbH

**Ovlašteni zastupnik u EU-u:**

Panasonic Testing Centre  
Winsbergring 15, 22525 Hamburg, Njemačka

## Nederlands

**Geproduceerd door:**

Panasonic Connect Co., Ltd.  
4-1-62 Minoshima, Hakata-ku, Fukuoka 812-8531,  
Japan

**Importeur:**

Panasonic Connect Europe GmbH

**Bevoegde vertegenwoordiger in de EU:**

Panasonic Testing Centre  
Winsbergring 15, 22525 Hamburg, Duitsland

## Latviešu

**Ražotājs:**

Panasonic Connect Co., Ltd.  
4-1-62 Minoshima, Hakata-ku, Fukuoka 812-8531,  
Japāna

**Importētājs:**

Panasonic Connect Europe GmbH

**Oficiālais pārstāvis ES:**

Panasonic Testing Centre  
Winsbergring 15, 22525 Hamburg, Vācija

## Norsk

**Produsert av:**

Panasonic Connect Co., Ltd.  
4-1-62 Minoshima, Hakata-ku, Fukuoka 812-8531,  
Japan

**Importør:**

Panasonic Connect Europe GmbH

**Autorisert representant i EU:**

Panasonic Testing Centre  
Winsbergring 15, 22525 Hamburg, Tyskland

## Polski

**Wyprodukowano przez:**

Panasonic Connect Co., Ltd.  
4-1-62 Minoshima, Hakata-ku, Fukuoka 812-8531,  
Japonia

**Importer:**

Panasonic Connect Europe GmbH

**Upoważniony przedstawiciel w UE:**

Panasonic Testing Centre  
Winsbergring 15, 22525 Hamburg, Niemcy

## Slovenščina

**Proizvajala:**

Panasonic Connect Co., Ltd.  
4-1-62 Minoshima, Hakata-ku, Fukuoka 812-8531,  
Japonska

**Uvoznik:**

Panasonic Connect Europe GmbH

**Pooblaščen zastopnik v EU:**

Panasonic Testing Centre  
Winsbergring 15, 22525 Hamburg, Nemčija

## Português

**Fabricado por:**

Panasonic Connect Co., Ltd.  
4-1-62 Minoshima, Hakata-ku, Fukuoka 812-8531,  
Japão

**Importador:**

Panasonic Connect Europe GmbH

**Representante Autorizado na UE:**

Panasonic Testing Centre  
Winsbergring 15, 22525 Hamburgo, Alemanha

## Türkçe

**Tarafından Üretilmiştir:**

Panasonic Connect Co., Ltd.  
4-1-62 Minoshima, Hakata-ku, Fukuoka 812-8531,  
Japonya

**İthalatçı:**

Panasonic Connect Europe GmbH

**AB Yetkili Temsilcisi:**

Panasonic Testing Centre  
Winsbergring 15, 22525 Hamburg, Almanya

## Română

**Fabricat de:**

Panasonic Connect Co., Ltd.  
4-1-62 Minoshima, Hakata-ku, Fukuoka 812-8531,  
Japonia

**Importator:**

Panasonic Connect Europe GmbH

**Reprezentant autorizat în UE:**

Panasonic Testing Centre  
Winsbergring 15, 22525 Hamburg, Germania

## Suomi

**Valmistaja:**

Panasonic Connect Co., Ltd.  
4-1-62 Minoshima, Hakata-ku, Fukuoka 812-8531,  
Japani

**Maahantuoja:**

Panasonic Connect Europe GmbH

**Valtuutettu edustaja EU:ssa:**

Panasonic Testing Centre  
Winsbergring 15, 22525 Hampuri, Saksa

## Slovenčina

**Výrobca:**

Panasonic Connect Co., Ltd.  
4-1-62 Minoshima, Hakata-ku, Fukuoka 812-8531,  
Japonsko

**Dovozca:**

Panasonic Connect Europe GmbH

**Autorizovaný zástupca v EÚ:**

Panasonic Testing Centre  
Winsbergring 15, 22525 Hamburg, Nemecko

## Svenska

**Tillverkad av:**

Panasonic Connect Co., Ltd.  
4-1-62 Minoshima, Hakata-ku, Fukuoka 812-8531,  
Japan

**Importör:**

Panasonic Connect Europe GmbH

**Auktoriserad representant i EU:**

Panasonic Testing Centre  
Winsbergring 15, 22525 Hamburg, Tyskland



# MEMO

---



### Disposal of Old Equipment

#### Only for European Union and countries with recycling systems



This symbol on the products, packaging, and/or accompanying documents means that used electrical and electronic products must not be mixed with general household waste. For proper treatment, recovery and recycling of old products, please take them to applicable collection points in accordance with your national legislation.

By disposing of them correctly, you will help to save valuable resources and prevent any potential negative effects on human health and the environment.

For more information about collection and recycling, please contact your local authority. Penalties may be applicable for incorrect disposal of this waste, in accordance with national legislation.

### Product Information (for Turkey only)



AEEE Yönetmeliğine Uygundur.

Eski Ekipman ve Bataryaların İşlenmesi.

Sadece geri dönüşüm sistemleri olan Avrupa Birliği ve ülkeleri için geçerlidir.

Ürünler, ambalaj ve/veya ekli belgeler üzerindeki bu semboller kullanılmış elektrik ve elektronik ürünlerin genel ev atığı ile karıştırılmaması gerektiğini ifade eder.

Eski ürünlerin toplanması ve geri kazanılması için bu atıklar lütfen yasayla belirlenmiş olan uygun toplama merkezlerine teslim ediniz.

Bu atıkların doğru işlenmesiyle, değerli kaynakların korunmasına ve insan sağlığı ve çevreye olası negatif etkilerinin engellenmesine yardımcı olabilirsiniz.

Atıkların toplanması ve geri dönüşümü için detaylı bilgi için lütfen bağlı olduğunuz yerel yönetimlerle iletişime geçiniz.

Atıkların atılmasıyla ilgili yanlış uygulamalar yasayla belirlenmiş olan cezalara sebebiyet verebilir.

---

# Panasonic Connect Co., Ltd.

Web Site : <https://panasonic.net/cns/projector/>

© Panasonic Connect Co., Ltd. 2022

---

## Panasonic Connect North America

Two Riverfront Plaza, Newark, NJ 07102

TEL: (877) 803 - 8492

## Panasonic Canada Inc.

5770 Ambler Drive, Mississauga, Ontario L4W 2T3

TEL: (905) 624 - 5010

SS1018AM1042 -PS

Printed in Japan

# Appendix / Annexe / 付録

## Dimensional relationship

## Relations dimensionnelles

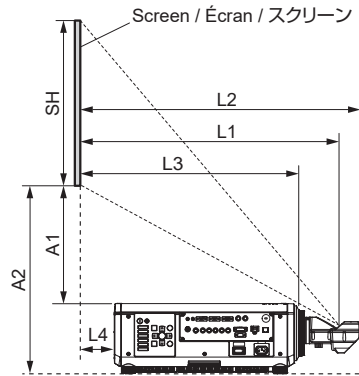
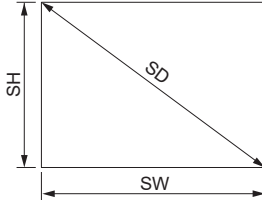
## 投写関係寸法

The dimensional relationship between the screen and the projector is shown below.

Les relations dimensionnelles entre l'écran et le projecteur sont indiquées ci-dessous.

スクリーンとプロジェクター間の投写関係寸法は下記の通りです。

Projected image / Image projetée / 投写画面



SH	Projected image height / Hauteur de l'image projetée / 投写画面高さ
SW	Projected image width / Largeur de l'image projetée / 投写画面幅
SD	Diagonal length of the projected image / Diagonale de la zone de projection / 投写画面対角
L1	Projection distance (from screen to mirror reflective surface*) Distance de projection (de l'écran à la surface réfléchissante du miroir*) 投写距離 (スクリーン～ミラー反射面*)
L2	Screen to lens front end / De l'écran à l'extrémité avant de l'objectif / スクリーン～レンズ先端
L3	Screen to projector front end / De l'écran à l'extrémité avant du projecteur / スクリーン～プロジェクター前面
L4	Screen to projector rear end / De l'écran à l'extrémité arrière du projecteur / スクリーン～プロジェクター後面
A1	Bottom edge of the screen to the top of the projector / Du bord inférieur de l'écran au sommet du projecteur / スクリーン下端～プロジェクター天面
A2	Bottom edge of the screen to the bottom of the projector / Du bord inférieur de l'écran à la base du projecteur / スクリーン下端～プロジェクター底面

\* The mirror reflective surface is inside the fixed-focus lens, and is not visible from the outside.

\* La surface réfléchissante du miroir se trouve à l'intérieur de l'objectif à focale fixe, et n'est pas visible de l'extérieur.

\* ミラー反射面は固定焦点レンズ内部にあるため外側からは確認できません。

- Projected image size and Projection distance
- Taille de l'image projetée et Distance de projection
- 投写画面サイズと投写距離

## Note

- When using projector models other than the following, refer to "Setting up" in the operating instructions of the projector.

## Remarque

- Lorsque vous utilisez des modèles de projecteur différents des modèles suivants, consultez "Installation" dans le mode d'emploi du projecteur.

## お知らせ

- 下記以外のプロジェクターをご使用の場合は、プロジェクターの取扱説明書の「設置する」をご覧ください。

Projectors / Projecteurs / プロジェクター

PT-RZ120 / PT-RZ970 / PT-RW930 / PT-RX110 / PT-RZ870 / PT-RZ770 / PT-RW730 / PT-RZ660 / PT-RW620 / PT-DZ870 / PT-DW830 / PT-DX100 / PT-DZ780 / PT-DW750 / PT-DX820
---

The dimensions of the following table contain a slight error.

Periods are used to represent decimal points in the calculation formulas in the following table.

Les dimensions du tableau suivant peuvent présenter un léger écart.

Les points sont utilisés pour indiquer les décimales dans les formules de calcul dans le tableau suivant.

次の表内の寸法は若干の誤差があります。

## Note

- The listed projection distances involve an error of  $\pm 5\%$ .
- "GEOMETRY(2D)" and "VERTICAL KEYSTONE" tend to correct the projected image to a size that is smaller than regular size.
- Throw ratio is based on the value during projection onto a 2.54 m (100") screen.

## Remarque

- Les distances de projection dans la liste implique une erreur de  $\pm 5\%$ .
- Le "GÉOMÉTRIE(2D)" et la "TRAPÈZE VERTICALE" ont tendance à corriger l'image projetée à une taille inférieure à la taille normale.
- Le rapport de projection (throw) se base sur la valeur pendant la projection sur un écran de 2,54 m (100").

## お知らせ

- 記載の投写距離は $\pm 5\%$ 以下の範囲内で誤差が発生します。
- [幾何学歪補正 (2D)] および [垂直台形補正] 使用時は、所定の画面サイズよりも小さくなる方向で補正されます。
- スローレシオは、投写画面サイズ 100 型投写時の値を基準にしています。

## ● PT-DZ870

(Unit / Unités / 単位 : m)

When the screen aspect ratio is 16:10 (Throw ratio : [0.38:1]) Lorsque le rapport d'aspect de l'écran est 16:10 (Rapport de projection : [0.38:1]) 画面アスペクト比 16 : 10 のとき (スローレシオ : [ 0.38 : 1])					
SD	SH	SW	L1	L4	A1
2.54 (100")	1.346 (52.992")	2.154 (84.803")	0.82 (32.28")	0.14 (5.51")	0.43 (16.93")
3.05 (120")	1.615 (63.583")	2.585 (101.772")	0.98 (38.58")	0.30 (11.81")	0.53 (20.87")
3.81 (150")	2.019 (79.488")	3.231 (127.205")	1.23 (48.43")	0.55 (21.65")	0.68 (26.77")
5.08 (200")	2.692 (105.984")	4.308 (169.606")	1.63 (64.17")	0.95 (37.40")	0.93 (36.61")
6.35 (250")	3.365 (132.480")	5.385 (212.008")	2.04 (80.31")	1.36 (53.54")	1.18 (46.46")
7.62 (300")	4.039 (159.016")	6.462 (254.409")	2.45 (96.46")	1.77 (69.69")	1.43 (56.30")
8.89 (350")	4.712 (185.512")	7.539 (296.811")	2.85 (112.20")	2.18 (85.83")	1.69 (66.54")

When the screen aspect ratio is 16:9 (Throw ratio : [0.38:1])  
 Lorsque le rapport d'aspect de l'écran est 16:9 (Rapport de projection : [0.38:1])  
 画面アスペクト比 16 : 9 のとき (スローレシオ : [ 0.38 : 1 ])

SD	SH	SW	L1	L4	A1
2.54 (100")	1.245 (49.016")	2.214 (87.165")	0.84 (31.89")	0.16 (6.30")	0.51 (20.08")
3.05 (120")	1.494 (58.819")	2.657 (104.606")	1.01 (39.76")	0.33 (12.99")	0.63 (24.80")
3.81 (150")	1.868 (73.543")	3.321 (130.748")	1.26 (49.61")	0.58 (22.83")	0.81 (31.89")
5.08 (200")	2.491 (98.071")	4.428 (174.331")	1.68 (66.14")	1.00 (39.37")	1.10 (43.31")
6.35 (250")	3.113 (122.559")	5.535 (217.913")	2.10 (82.68")	1.42 (55.91")	1.39 (54.72")
7.62 (300")	3.736 (147.087")	6.641 (261.457")	2.51 (98.82")	1.84 (72.44")	1.68 (66.14")
8.89 (350")	4.358 (171.575")	7.748 (305.039")	2.93 (115.35")	2.25 (88.58")	1.98 (77.95")

When the screen aspect ratio is 4:3 (Throw ratio : [0.46:1])  
 Lorsque le rapport d'aspect de l'écran est 4:3 (Rapport de projection : [0.46:1])  
 画面アスペクト比 4 : 3 のとき (スローレシオ : [ 0.46 : 1 ])

SD	SH	SW	L1	L4	A1
2.54 (100")	1.524 (60.000")	2.032 (80.000")	0.93 (36.61")	0.25 (9.84")	0.50 (19.69")
3.05 (120")	1.829 (72.008")	2.438 (95.984")	1.11 (43.70")	0.43 (16.93")	0.61 (24.02")
3.81 (150")	2.286 (90.000")	3.048 (120.000")	1.39 (54.72")	0.71 (27.95")	0.78 (30.71")
5.08 (200")	3.048 (120.000")	4.064 (160.000")	1.85 (72.83")	1.17 (46.06")	1.06 (41.73")
6.35 (250")	3.810 (150.000")	5.080 (200.000")	2.31 (90.94")	1.63 (64.17")	1.35 (53.15")
7.62 (300")	4.572 (180.000")	6.096 (240.000")	2.77 (109.06")	2.09 (82.28")	1.63 (64.17")
8.89 (350")	5.334 (210.000")	7.112 (280.000")	3.23 (127.17")	2.55 (100.39")	1.92 (75.59")

● PT-DW830

(Unit / Unités / 単位 : m)

When the screen aspect ratio is 16:10 (Throw ratio : [0.40:1])  
 Lorsque le rapport d'aspect de l'écran est 16:10 (Rapport de projection : [0.40:1])  
 画面アスペクト比 16 : 10 のとき (スローレシオ : [ 0.40 : 1 ])

SD	SH	SW	L1	L4	A1
2.54 (100")	1.346 (52.992")	2.154 (84.803")	0.86 (33.86")	0.18 (7.09")	0.59 (23.23")
3.05 (120")	1.615 (63.583")	2.585 (101.772")	1.03 (40.55")	0.35 (13.78")	0.72 (28.35")
3.81 (150")	2.019 (79.488")	3.231 (127.205")	1.29 (50.79")	0.61 (24.02")	0.92 (36.22")
5.08 (200")	2.692 (105.984")	4.308 (169.606")	1.71 (67.32")	1.04 (40.94")	1.25 (49.21")
6.35 (250")	3.365 (132.480")	5.385 (212.008")	2.14 (84.25")	1.46 (57.48")	1.58 (62.20")
7.62 (300")	4.039 (159.016")	6.462 (254.409")	2.57 (101.18")	1.89 (74.41")	1.91 (75.20")
8.89 (350")	4.712 (185.512")	7.539 (296.811")	3.00 (118.11")	2.32 (91.34")	2.24 (88.19")

When the screen aspect ratio is 16:9 (Throw ratio : [0.40:1])  
 Lorsque le rapport d'aspect de l'écran est 16:9 (Rapport de projection : [0.40:1])  
 画面アスペクト比 16 : 9 のとき (スローレシオ : [ 0.40 : 1 ])

SD	SH	SW	L1	L4	A1
2.54 (100")	1.245 (49.016")	2.214 (87.165")	0.88 (34.65")	0.20 (7.87")	0.67 (26.38")
3.05 (120")	1.494 (58.819")	2.657 (104.606")	1.06 (41.73")	0.38 (14.96")	0.82 (32.28")
3.81 (150")	1.868 (73.543")	3.321 (130.748")	1.32 (51.97")	0.64 (25.20")	1.05 (41.34")
5.08 (200")	2.491 (98.071")	4.428 (174.331")	1.76 (69.29")	1.08 (42.52")	1.42 (55.91")
6.35 (250")	3.113 (122.559")	5.535 (217.913")	2.20 (86.61")	1.52 (59.84")	1.79 (70.47")
7.62 (300")	3.736 (147.087")	6.641 (261.457")	2.64 (103.94")	1.96 (77.17")	2.17 (85.43")
8.89 (350")	4.358 (171.575")	7.748 (305.039")	3.08 (121.26")	2.40 (94.49")	2.54 (100.00")

When the screen aspect ratio is 4:3 (Throw ratio : [0.48:1]) Lorsque le rapport d'aspect de l'écran est 4:3 (Rapport de projection : [0.48:1]) 画面アスペクト比 4 : 3 のとき (スローレシオ : [ 0.48 : 1])					
SD	SH	SW	L1	L4	A1
2.54 (100")	1.524 (60.000")	2.032 (80.000")	0.97 (38.19")	0.29 (11.42")	0.67 (26.38")
3.05 (120")	1.829 (72.008")	2.438 (95.984")	1.17 (46.06")	0.49 (19.29")	0.82 (32.28")
3.81 (150")	2.286 (90.000")	3.048 (120.000")	1.46 (57.48")	0.78 (30.71")	1.05 (41.34")
5.08 (200")	3.048 (120.000")	4.064 (160.000")	1.94 (76.38")	1.26 (49.61")	1.42 (55.91")
6.35 (250")	3.810 (150.000")	5.080 (200.000")	2.42 (95.28")	1.74 (68.50")	1.79 (70.47")
7.62 (300")	4.572 (180.000")	6.096 (240.000")	2.91 (114.57")	2.23 (87.80")	2.17 (85.43")
8.89 (350")	5.334 (210.000")	7.112 (280.000")	3.39 (133.46")	2.71 (106.69")	2.54 (100.00")

● PT-DX100

(Unit / Unités / 単位 : m)

When the screen aspect ratio is 4:3 (Throw ratio : [0.39:1]) Lorsque le rapport d'aspect de l'écran est 4:3 (Rapport de projection : [0.39:1]) 画面アスペクト比 4 : 3 のとき (スローレシオ : [ 0.39 : 1])					
SD	SH	SW	L1	L4	A1
2.54 (100")	1.524 (60.000")	2.032 (80.000")	0.80 (31.50")	0.12 (4.72")	0.41 (16.14")
3.05 (120")	1.829 (72.008")	2.438 (95.984")	0.96 (37.80")	0.28 (11.02")	0.50 (19.69")
3.81 (150")	2.286 (90.000")	3.048 (120.000")	1.20 (47.24")	0.52 (20.47")	0.65 (25.59")
5.08 (200")	3.048 (120.000")	4.064 (160.000")	1.60 (62.99")	0.92 (36.22")	0.88 (34.65")
6.35 (250")	3.810 (150.000")	5.080 (200.000")	1.99 (78.35")	1.32 (51.97")	1.12 (44.09")
7.62 (300")	4.572 (180.000")	6.096 (240.000")	2.39 (94.09")	1.71 (67.32")	1.36 (53.54")
8.89 (350")	5.334 (210.000")	7.112 (280.000")	2.79 (109.84")	2.11 (83.07")	1.60 (62.99")

When the screen aspect ratio is 16:9 (Throw ratio : [0.39:1]) Lorsque le rapport d'aspect de l'écran est 16:9 (Rapport de projection : [0.39:1]) 画面アスペクト比 16 : 9 のとき (スローレシオ : [ 0.39 : 1])					
SD	SH	SW	L1	L4	A1
2.54 (100")	1.245 (49.016")	2.214 (87.165")	0.87 (34.25")	0.19 (7.48")	0.66 (25.98")
3.05 (120")	1.494 (58.819")	2.657 (104.606")	1.05 (41.34")	0.37 (14.57")	0.80 (31.50")
3.81 (150")	1.868 (73.543")	3.321 (130.748")	1.31 (51.57")	0.63 (24.80")	1.02 (40.16")
5.08 (200")	2.491 (98.071")	4.428 (174.331")	1.74 (68.50")	1.06 (41.73")	1.39 (54.72")
6.35 (250")	3.113 (122.559")	5.535 (217.913")	2.17 (85.43")	1.49 (58.66")	1.75 (68.90")
7.62 (300")	3.736 (147.087")	6.641 (261.457")	2.61 (102.76")	1.93 (75.98")	2.11 (83.07")
8.89 (350")	4.358 (171.575")	7.748 (305.039")	3.04 (119.69")	2.36 (92.91")	2.48 (97.64")

● PT-RZ120 / PT-RZ970 / PT-RZ870 / PT-RZ770 / PT-RZ660

(Unit / Unités / 単位 : m)

When the screen aspect ratio is 16:10 (Throw ratio : [0.38:1]) Lorsque le rapport d'aspect de l'écran est 16:10 (Rapport de projection : [0.38:1]) 画面アスペクト比 16 : 10 のとき (スローレシオ : [ 0.38 : 1])					
SD	SH	SW	L1	L4	A1
2.54 (100")	1.346 (52.992")	2.154 (84.803")	0.82 (32.23")	0.11 (4.51")	0.43 (16.93")
3.05 (120")	1.615 (63.583")	2.585 (101.772")	0.98 (38.64")	0.28 (10.92")	0.53 (20.88")
3.81 (150")	2.019 (79.488")	3.231 (127.205")	1.23 (48.25")	0.52 (20.54")	0.68 (26.81")
5.08 (200")	2.692 (105.984")	4.308 (169.606")	1.63 (64.28")	0.93 (36.56")	0.93 (36.69")
6.35 (250")	3.365 (132.480")	5.385 (212.008")	2.04 (80.30")	1.34 (52.59")	1.18 (46.57")
7.62 (300")	4.039 (159.016")	6.462 (254.409")	2.45 (96.33")	1.74 (68.61")	1.43 (56.46")
8.89 (350")	4.712 (185.512")	7.539 (296.811")	2.85 (112.35")	2.15 (84.63")	1.69 (66.34")

When the screen aspect ratio is 16:9 (Throw ratio : [0.38:1])  
 Lorsque le rapport d'aspect de l'écran est 16:9 (Rapport de projection : [0.38:1])  
 画面アスペクト比 16 : 9 のとき (スローレシオ : [ 0.38 : 1 ])

SD	SH	SW	L1	L4	A1
2.54 (100")	1.245 (49.016")	2.214 (87.165")	0.84 (33.12")	0.14 (5.41")	0.51 (20.20")
3.05 (120")	1.494 (58.819")	2.657 (104.606")	1.01 (39.71")	0.3 (11.99")	0.63 (24.81")
3.81 (150")	1.868 (73.543")	3.321 (130.748")	1.26 (49.59")	0.56 (21.87")	0.81 (31.72")
5.08 (200")	2.491 (98.071")	4.428 (174.331")	1.68 (66.06")	0.97 (38.34")	1.1 (43.24")
6.35 (250")	3.113 (122.559")	5.535 (217.913")	2.1 (82.53")	1.39 (54.81")	1.39 (54.76")
7.62 (300")	3.736 (147.087")	6.641 (261.457")	2.51 (99.00")	1.81 (71.28")	1.68 (66.28")
8.89 (350")	4.358 (171.575")	7.748 (305.039")	2.93 (115.47")	2.23 (87.75")	1.98 (77.80")

When the screen aspect ratio is 4:3 (Throw ratio : [0.46:1])  
 Lorsque le rapport d'aspect de l'écran est 4:3 (Rapport de projection : [0.46:1])  
 画面アスペクト比 4 : 3 のとき (スローレシオ : [ 0.46 : 1 ])

SD	SH	SW	L1	L4	A1
2.54 (100")	1.524 (60.000")	2.032 (80.000")	0.93 (36.46")	0.22 (8.75")	0.50 (19.54")
3.05 (120")	1.829 (72.008")	2.438 (95.984")	1.11 (43.72")	0.41 (16.00")	0.61 (24.01")
3.81 (150")	2.286 (90.000")	3.048 (120.000")	1.39 (54.60")	0.68 (26.89")	0.78 (30.73")
5.08 (200")	3.048 (120.000")	4.064 (160.000")	1.85 (72.74")	1.14 (45.03")	1.06 (41.91")
6.35 (250")	3.810 (150.000")	5.080 (200.000")	2.31 (90.88")	1.60 (63.17")	1.35 (53.10")
7.62 (300")	4.572 (180.000")	6.096 (240.000")	2.77 (109.02")	2.07 (81.31")	1.63 (64.29")
8.89 (350")	5.334 (210.000")	7.112 (280.000")	3.23 (127.16")	2.53 (99.45")	1.92 (75.48")

● PT-RX110

(Unit / Unités / 単位 : m)

When the screen aspect ratio is 4:3 (Throw ratio : [0.39:1])  
 Lorsque le rapport d'aspect de l'écran est 4:3 (Rapport de projection : [0.39:1])  
 画面アスペクト比 4 : 3 のとき (スローレシオ : [ 0.39 : 1 ])

SD	SH	SW	L1	L4	A1
2.54 (100")	1.524 (60.000")	2.032 (80.000")	0.80 (31.51")	0.10 (3.79")	0.41 (15.99")
3.05 (120")	1.829 (72.008")	2.438 (95.984")	0.96 (37.78")	0.26 (10.06")	0.50 (19.76")
3.81 (150")	2.286 (90.000")	3.048 (120.000")	1.20 (47.17")	0.49 (19.46")	0.65 (25.40")
5.08 (200")	3.048 (120.000")	4.064 (160.000")	1.60 (62.84")	0.89 (35.12")	0.88 (34.80")
6.35 (250")	3.810 (150.000")	5.080 (200.000")	1.99 (78.50")	1.29 (50.79")	1.12 (44.21")
7.62 (300")	4.572 (180.000")	6.096 (240.000")	2.39 (94.17")	1.69 (66.45")	1.36 (53.61")
8.89 (350")	5.334 (210.000")	7.112 (280.000")	2.79 (109.83")	2.09 (82.11")	1.60 (63.02")

When the screen aspect ratio is 16:9 (Throw ratio : [0.39:1])  
 Lorsque le rapport d'aspect de l'écran est 16:9 (Rapport de projection : [0.39:1])  
 画面アスペクト比 16 : 9 のとき (スローレシオ : [ 0.39 : 1 ])

SD	SH	SW	L1	L4	A1
2.54 (100")	1.245 (49.016")	2.214 (87.165")	0.87 (34.31")	0.17 (6.60")	0.66 (25.85")
3.05 (120")	1.494 (58.819")	2.657 (104.606")	1.04 (41.14")	0.34 (13.42")	0.80 (31.58")
3.81 (150")	1.868 (73.543")	3.321 (130.748")	1.31 (51.38")	0.60 (23.66")	1.02 (40.18")
5.08 (200")	2.491 (98.071")	4.428 (174.331")	1.74 (68.44")	1.03 (40.73")	1.38 (54.51")
6.35 (250")	3.113 (122.559")	5.535 (217.913")	2.17 (85.51")	1.47 (57.79")	1.75 (68.84")
7.62 (300")	3.736 (147.087")	6.641 (261.457")	2.61 (102.57")	1.90 (74.86")	2.11 (83.17")
8.89 (350")	4.358 (171.575")	7.748 (305.039")	3.04 (119.64")	2.33 (91.92")	2.48 (97.51")

● PT-RW930 / PT-RW730 / PT-RW620

(Unit / Unités / 単位 : m)

When the screen aspect ratio is 16:10 (Throw ratio : [0.40:1]) Lorsque le rapport d'aspect de l'écran est 16:10 (Rapport de projection : [0.40:1]) 画面アスペクト比 16 : 10 のとき (スローレシオ : [ 0.40 : 1])					
SD	SH	SW	L1	L4	A1
2.54 (100")	1.346 (52.992")	2.154 (84.803")	0.86 (33.83")	0.16 (6.12")	0.59 (23.06")
3.05 (120")	1.615 (63.583")	2.585 (101.772")	1.03 (40.56")	0.33 (12.85")	0.72 (28.26")
3.81 (150")	2.019 (79.488")	3.231 (127.205")	1.29 (50.66")	0.58 (22.94")	0.92 (36.05")
5.08 (200")	2.692 (105.984")	4.308 (169.606")	1.71 (67.48")	1.01 (39.77")	1.25 (49.04")
6.35 (250")	3.365 (132.480")	5.385 (212.008")	2.14 (84.31")	1.44 (56.59")	1.58 (62.02")
7.62 (300")	4.039 (159.016")	6.462 (254.409")	2.57 (101.13")	1.86 (73.42")	1.91 (75.01")
8.89 (350")	4.712 (185.512")	7.539 (296.811")	3.00 (117.96")	2.29 (90.24")	2.24 (88.00")

When the screen aspect ratio is 16:9 (Throw ratio : [0.40:1]) Lorsque le rapport d'aspect de l'écran est 16:9 (Rapport de projection : [0.40:1]) 画面アスペクト比 16 : 9 のとき (スローレシオ : [ 0.40 : 1])					
SD	SH	SW	L1	L4	A1
2.54 (100")	1.245 (49.016")	2.214 (87.165")	0.88 (34.77")	0.18 (7.05")	0.67 (26.51")
3.05 (120")	1.494 (58.819")	2.657 (104.606")	1.06 (41.69")	0.35 (13.97")	0.82 (32.39")
3.81 (150")	1.868 (73.543")	3.321 (130.748")	1.32 (52.06")	0.62 (24.34")	1.05 (41.22")
5.08 (200")	2.491 (98.071")	4.428 (174.331")	1.76 (69.35")	1.06 (41.64")	1.42 (55.93")
6.35 (250")	3.113 (122.559")	5.535 (217.913")	2.20 (86.65")	1.50 (58.93")	1.79 (70.64")
7.62 (300")	3.736 (147.087")	6.641 (261.457")	2.64 (103.94")	1.94 (76.22")	2.17 (85.35")
8.89 (350")	4.358 (171.575")	7.748 (305.039")	3.08 (121.23")	2.38 (93.52")	2.54 (100.06")

When the screen aspect ratio is 4:3 (Throw ratio : [0.48:1]) Lorsque le rapport d'aspect de l'écran est 4:3 (Rapport de projection : [0.48:1]) 画面アスペクト比 4 : 3 のとき (スローレシオ : [ 0.48 : 1])					
SD	SH	SW	L1	L4	A1
2.54 (100")	1.524 (60.000")	2.032 (80.000")	0.97 (38.27")	0.27 (10.55")	0.67 (26.49")
3.05 (120")	1.829 (72.008")	2.438 (95.984")	1.17 (45.89")	0.46 (18.17")	0.82 (32.37")
3.81 (150")	2.286 (90.000")	3.048 (120.000")	1.46 (57.31")	0.75 (29.60")	1.05 (41.20")
5.08 (200")	3.048 (120.000")	4.064 (160.000")	1.94 (76.36")	1.24 (48.64")	1.42 (55.90")
6.35 (250")	3.810 (150.000")	5.080 (200.000")	2.42 (95.40")	1.72 (67.68")	1.79 (70.60")
7.62 (300")	4.572 (180.000")	6.096 (240.000")	2.91 (114.44")	2.20 (86.73")	2.17 (85.30")
8.89 (350")	5.334 (210.000")	7.112 (280.000")	3.39 (133.49")	2.69 (105.77")	2.54 (100.01")

● PT-DZ780

(Unit / Unités / 単位 : m)

When the screen aspect ratio is 16:10 (Throw ratio : [0.38 : 1]) Lorsque le rapport d'aspect de l'écran est 16:10 (Rapport de projection : [0.38 : 1]) 画面アスペクト比 16 : 10 のとき (スローレシオ : [ 0.38 : 1])					
SD	SH	SW	L1	L4	A1
2.54 (100")	1.346 (52.992")	2.154 (84.803")	0.82 (32.28")	0.17 (6.69")	0.43 (16.93")
3.05 (120")	1.615 (63.583")	2.585 (101.772")	0.98 (38.58")	0.34 (13.39")	0.54 (21.26")
3.81 (150")	2.019 (79.488")	3.231 (127.205")	1.23 (48.43")	0.58 (22.83")	0.69 (27.17")
5.08 (200")	2.692 (105.984")	4.308 (169.606")	1.63 (64.17")	0.99 (38.98")	0.94 (37.01")
6.35 (250")	3.365 (132.480")	5.385 (212.008")	2.04 (80.31")	1.40 (55.12")	1.19 (46.85")
7.62 (300")	4.039 (159.016")	6.462 (254.409")	2.45 (96.46")	1.80 (70.87")	1.44 (56.69")
8.89 (350")	4.712 (185.512")	7.539 (296.811")	2.85 (112.20")	2.21 (87.01")	1.69 (66.54")



When the screen aspect ratio is 16:9 (Throw ratio : [0.38:1])  
 Lorsque le rapport d'aspect de l'écran est 16:9 (Rapport de projection : [0.38:1])  
 画面アスペクト比 16 : 9 のとき (スローレシオ : [ 0.38 : 1 ])

SD	SH	SW	L1	L4	A1
2.54 (100")	1.245 (49.016")	2.214 (87.165")	0.84 (33.07")	0.20 (7.87")	0.52 (20.47")
3.05 (120")	1.494 (58.819")	2.657 (104.606")	1.01 (39.76")	0.36 (14.17")	0.64 (25.20")
3.81 (150")	1.868 (73.543")	3.321 (130.748")	1.26 (49.61")	0.62 (24.41")	0.81 (31.89")
5.08 (200")	2.491 (98.071")	4.428 (174.331")	1.68 (66.14")	1.03 (40.55")	1.10 (43.31")
6.35 (250")	3.113 (122.559")	5.535 (217.913")	2.10 (82.68")	1.45 (57.09")	1.40 (55.12")
7.62 (300")	3.736 (147.087")	6.641 (261.457")	2.51 (98.82")	1.87 (73.62")	1.69 (66.54")
8.89 (350")	4.358 (171.575")	7.748 (305.039")	2.93 (115.35")	2.29 (90.16")	1.98 (77.95")

When the screen aspect ratio is 4:3 (Throw ratio : [0.46:1])  
 Lorsque le rapport d'aspect de l'écran est 4:3 (Rapport de projection : [0.46:1])  
 画面アスペクト比 4 : 3 のとき (スローレシオ : [ 0.46 : 1 ])

SD	SH	SW	L1	L4	A1
2.54 (100")	1.524 (60.000")	2.032 (80.000")	0.93 (36.61")	0.28 (11.02")	0.50 (19.69")
3.05 (120")	1.829 (72.008")	2.438 (95.984")	1.11 (43.70")	0.47 (18.50")	0.61 (24.02")
3.81 (150")	2.286 (90.000")	3.048 (120.000")	1.39 (54.72")	0.74 (29.13")	0.79 (31.10")
5.08 (200")	3.048 (120.000")	4.064 (160.000")	1.85 (72.83")	1.20 (47.24")	1.07 (42.13")
6.35 (250")	3.810 (150.000")	5.080 (200.000")	2.31 (90.94")	1.66 (65.35")	1.35 (53.15")
7.62 (300")	4.572 (180.000")	6.096 (240.000")	2.77 (109.06")	2.13 (83.86")	1.64 (64.57")
8.89 (350")	5.334 (210.000")	7.112 (280.000")	3.23 (127.17")	2.59 (101.97")	1.92 (75.59")

● PT-DW750

(Unit / Unités / 単位 : m)

When the screen aspect ratio is 16:10 (Throw ratio : [0.40:1])  
 Lorsque le rapport d'aspect de l'écran est 16:10 (Rapport de projection : [0.40:1])  
 画面アスペクト比 16 : 10 のとき (スローレシオ : [ 0.40 : 1 ])

SD	SH	SW	L1	L4	A1
2.54 (100")	1.346 (52.992")	2.154 (84.803")	0.86 (33.86")	0.22 (8.66")	0.59 (23.23")
3.05 (120")	1.615 (63.583")	2.585 (101.772")	1.03 (40.55")	0.39 (15.35")	0.72 (28.35")
3.81 (150")	2.019 (79.488")	3.231 (127.205")	1.29 (50.79")	0.64 (25.20")	0.92 (36.22")
5.08 (200")	2.692 (105.984")	4.308 (169.606")	1.71 (67.32")	1.07 (42.13")	1.25 (49.21")
6.35 (250")	3.365 (132.480")	5.385 (212.008")	2.14 (84.25")	1.50 (59.06")	1.58 (62.20")
7.62 (300")	4.039 (159.016")	6.462 (254.409")	2.57 (101.18")	1.92 (75.59")	1.91 (75.20")
8.89 (350")	4.712 (185.512")	7.539 (296.811")	3.00 (118.11")	2.35 (92.52")	2.24 (88.19")

When the screen aspect ratio is 16:9 (Throw ratio : [0.40:1])  
 Lorsque le rapport d'aspect de l'écran est 16:9 (Rapport de projection : [0.40:1])  
 画面アスペクト比 16 : 9 のとき (スローレシオ : [ 0.40 : 1 ])

SD	SH	SW	L1	L4	A1
2.54 (100")	1.245 (49.016")	2.214 (87.165")	0.88 (34.65")	0.24 (9.45")	0.68 (26.77")
3.05 (120")	1.494 (58.819")	2.657 (104.606")	1.06 (41.73")	0.41 (16.14")	0.83 (32.68")
3.81 (150")	1.868 (73.543")	3.321 (130.748")	1.32 (51.97")	0.68 (26.77")	1.05 (41.34")
5.08 (200")	2.491 (98.071")	4.428 (174.331")	1.76 (69.29")	1.12 (44.09")	1.43 (56.30")
6.35 (250")	3.113 (122.559")	5.535 (217.913")	2.20 (86.61")	1.56 (61.42")	1.80 (70.87")
7.62 (300")	3.736 (147.087")	6.641 (261.457")	2.64 (103.94")	2.00 (78.74")	2.17 (85.43")
8.89 (350")	4.358 (171.575")	7.748 (305.039")	3.08 (121.26")	2.44 (96.06")	2.55 (100.39")

When the screen aspect ratio is 4:3 (Throw ratio : [0.48:1]) Lorsque le rapport d'aspect de l'écran est 4:3 (Rapport de projection : [0.48:1]) 画面アスペクト比 4 : 3 のとき (スローレシオ : [ 0.48 : 1 ])					
SD	SH	SW	L1	L4	A1
2.54 (100")	1.524 (60.000")	2.032 (80.000")	0.97 (38.19")	0.33 (12.99")	0.68 (26.77")
3.05 (120")	1.829 (72.008")	2.438 (95.984")	1.17 (46.06")	0.52 (20.47")	0.83 (32.68")
3.81 (150")	2.286 (90.000")	3.048 (120.000")	1.46 (57.48")	0.81 (31.89")	1.05 (41.34")
5.08 (200")	3.048 (120.000")	4.064 (160.000")	1.94 (76.38")	1.30 (51.18")	1.42 (55.91")
6.35 (250")	3.810 (150.000")	5.080 (200.000")	2.42 (95.28")	1.78 (70.08")	1.80 (70.87")
7.62 (300")	4.572 (180.000")	6.096 (240.000")	2.91 (114.57")	2.26 (88.98")	2.17 (85.43")
8.89 (350")	5.334 (210.000")	7.112 (280.000")	3.39 (133.46")	2.75 (108.27")	2.55 (100.39")

● PT-DX820

(Unit / Unités / 単位 : m)

When the screen aspect ratio is 4:3 (Throw ratio : [0.39:1]) Lorsque le rapport d'aspect de l'écran est 4:3 (Rapport de projection : [0.39:1]) 画面アスペクト比 4 : 3 のとき (スローレシオ : [ 0.39 : 1 ])					
SD	SH	SW	L1	L4	A1
2.54 (100")	1.524 (60.000")	2.032 (80.000")	0.80 (31.50")	0.16 (6.30")	0.41 (16.14")
3.05 (120")	1.829 (72.008")	2.438 (95.984")	0.96 (37.80")	0.32 (12.60")	0.51 (20.08")
3.81 (150")	2.286 (90.000")	3.048 (120.000")	1.20 (47.24")	0.55 (21.65")	0.65 (25.59")
5.08 (200")	3.048 (120.000")	4.064 (160.000")	1.60 (62.99")	0.95 (37.40")	0.89 (35.04")
6.35 (250")	3.810 (150.000")	5.080 (200.000")	1.99 (78.35")	1.35 (53.15")	1.13 (44.49")
7.62 (300")	4.572 (180.000")	6.096 (240.000")	2.39 (94.09")	1.75 (68.90")	1.37 (53.94")
8.89 (350")	5.334 (210.000")	7.112 (280.000")	2.79 (109.84")	2.15 (84.65")	1.61 (63.39")

When the screen aspect ratio is 16:9 (Throw ratio : [0.39:1]) Lorsque le rapport d'aspect de l'écran est 16:9 (Rapport de projection : [0.39:1]) 画面アスペクト比 16 : 9 のとき (スローレシオ : [ 0.39 : 1 ])					
SD	SH	SW	L1	L4	A1
2.54 (100")	1.245 (49.016")	2.214 (87.165")	0.87 (34.25")	0.23 (9.06")	0.66 (25.98")
3.05 (120")	1.494 (58.819")	2.657 (104.606")	1.04 (40.94")	0.40 (15.75")	0.81 (31.89")
3.81 (150")	1.868 (73.543")	3.321 (130.748")	1.31 (51.57")	0.66 (25.98")	1.03 (40.55")
5.08 (200")	2.491 (98.071")	4.428 (174.331")	1.74 (68.50")	1.09 (42.91")	1.39 (54.72")
6.35 (250")	3.113 (122.559")	5.535 (217.913")	2.17 (85.43")	1.53 (60.24")	1.75 (68.90")
7.62 (300")	3.736 (147.087")	6.641 (261.457")	2.61 (102.76")	1.96 (77.17")	2.12 (83.46")
8.89 (350")	4.358 (171.575")	7.748 (305.039")	3.04 (119.69")	2.39 (94.09")	2.48 (97.64")

- Projection distance formulas
- Formules de distance de projection
- 投写距離計算式

If you are using a projection screen size not listed in these Operating Instructions, measure the diagonal screen size SD (m). Then use the calculation methods provided to determine projection distance (L1) and the distance from the top of the projector to the bottom edge of the screen (A1).

Establishing dimensions L1 and A1 allows you to calculate all other dimensions.

Note that the values obtained in the following calculations are approximations.

Si vous utilisez une taille d'écran de projection n'apparaissant pas dans la liste de ce mode d'emploi, mesurez la taille de l'écran en diagonale SD (m). Utilisez ensuite les méthodes de calcul fournies pour déterminer la distance de projection (L1) et la distance du sommet du projecteur au bord inférieur de l'écran (A1).

Établir les dimensions L1 et A1 vous permet de calculer toutes les autres dimensions.

Notez que les valeurs obtenues dans les calculs suivants sont des approximations.

本書に記載のない投写画面サイズでご使用の場合は、画面対角サイズ SD (m) をご確認のうえ、それぞれの計算式で投写距離 (L1)、およびプロジェクター天面～スクリーン下端 (A1) を求めてください。

また、L1、A1 を求めることで、それ以外の寸法についても計算することができます。

次の計算式で求められる値には、若干の誤差があります。

#### ● PT-DZ870

(Unit / Unités / 単位 : m)

Aspect ratio Rapport d'aspect 画面アスペクト比	L1	A1
16 : 10	=0.3205 × SD + 0.0047	=0.1977 × SD - 0.0721
16 : 9	=0.3294 × SD + 0.0047	=0.2304 × SD - 0.0721
4 : 3	=0.3628 × SD + 0.0047	=0.2238 × SD - 0.0721

#### ● PT-DW830

Aspect ratio Rapport d'aspect 画面アスペクト比	L1	A1
16 : 10	=0.3365 × SD + 0.0047	=0.2597 × SD - 0.0740
16 : 9	=0.3459 × SD + 0.0047	=0.2942 × SD - 0.0740
4 : 3	=0.3809 × SD + 0.0047	=0.2941 × SD - 0.0740

#### ● PT-DX100

Aspect ratio Rapport d'aspect 画面アスペクト比	L1	A1
4 : 3	=0.3133 × SD + 0.0047	=0.1881 × SD - 0.0715
16 : 9	=0.3413 × SD + 0.0047	=0.2866 × SD - 0.0715

#### ● PT-RZ120 / PT-RZ970 / PT-RZ870 / PT-RZ770 / PT-RZ660

Aspect ratio Rapport d'aspect 画面アスペクト比	L1	A1
16 : 10	=0.3205 × SD + 0.0047	=0.1977 × SD - 0.0721
16 : 9	=0.3294 × SD + 0.0047	=0.2304 × SD - 0.0721
4 : 3	=0.3628 × SD + 0.0047	=0.2238 × SD - 0.0721

● PT-RX110

(Unit / Unités / 単位 : m)

Aspect ratio Rapport d'aspect 画面アスペクト比	L1	A1
4 : 3	=0.3133 × SD + 0.0047	=0.1881 × SD - 0.0715
16 : 9	=0.3413 × SD + 0.0047	=0.2866 × SD - 0.0715

● PT-RW930 / PT-RW730 / PT-RW620

Aspect ratio Rapport d'aspect 画面アスペクト比	L1	A1
16 : 10	=0.3365 × SD + 0.0047	=0.2597 × SD - 0.074
16 : 9	=0.3459 × SD + 0.0047	=0.2942 × SD - 0.074
4 : 3	=0.3809 × SD + 0.0047	=0.2941 × SD - 0.074

● PT-DZ780

Aspect ratio Rapport d'aspect 画面アスペクト比	L1	A1
16 : 10	=0.3205 × SD + 0.0047	=0.1977 × SD - 0.0671
16 : 9	=0.3294 × SD + 0.0047	=0.2304 × SD - 0.0671
4 : 3	=0.3628 × SD + 0.0047	=0.2238 × SD - 0.0671

● PT-DW750

Aspect ratio Rapport d'aspect 画面アスペクト比	L1	A1
16 : 10	=0.3365 × SD + 0.0047	=0.2597 × SD - 0.0690
16 : 9	=0.3459 × SD + 0.0047	=0.2942 × SD - 0.0690
4 : 3	=0.3809 × SD + 0.0047	=0.2941 × SD - 0.0690

● PT-DX820

Aspect ratio Rapport d'aspect 画面アスペクト比	L1	A1
16 : 9	=0.3413 × SD + 0.0047	=0.2866 × SD - 0.0665
4 : 3	=0.3133 × SD + 0.0047	=0.1881 × SD - 0.0665

● Calculation method for L2, L3, L4 and A2

Méthode de calcul pour L2, L3, L4 et A2

L2、L3、L4、A2 の計算式

(Unit / Unités / 単位 : m)

	L2	L3	L4	A2
PT-DZ870 / PT-DW830 / PT-DX100	= L1 + 0.023	= L1 - 0.166	= L1 - 0.679	= A1 + 0.200
PT-RZ120 / PT-RZ970 / PT-RZ870 / PT-RZ770 / PT-RZ660 / PT-RX110 PT-RW930 / PT-RW730 / PT-RW620			= L1 - 0.704	= A1 + 0.200



---

# Panasonic Connect Co., Ltd.

Web Site : <https://panasonic.net/cns/projector/>

---

## **Panasonic Connect North America**

Two Riverfront Plaza, Newark, NJ 07102

TEL: (877) 803 - 8492

## **Panasonic Canada Inc.**

5770 Ambler Drive, Mississauga, Ontario L4W 2T3

TEL: (905) 624 - 5010

---

## **パナソニック コネクト株式会社**

〒 571-8503 大阪府門真市松葉町 2 番 15 号 電話 ☎ 0120-872-601