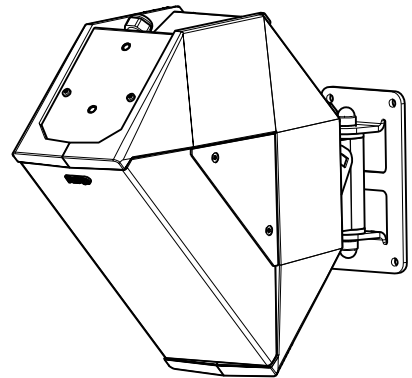
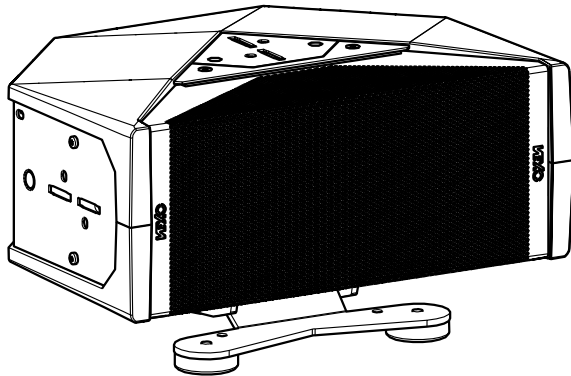


ID24t - ID24i



1 CONTENTS

1 CONTENTS.....	2
2 WARNINGS.....	3
3 ID24 - ACCESSORIES.....	4
4 DESCRIPTION	5
5 SETUPS ID24.....	5
6 HORN ROTATION	6
7 CROSSOVER FREQUENCY.....	6
8 ARRAY EQ.....	6
9 MAINTENANCE.....	7
10 TECHNICAL SPECIFICATIONS.....	10
11 USER NOTES.....	11

EU Conformity declaration

We,

NEXO SA
ZA DU PRE DE LA DAME JEANNE
60128 PLAILLY – France
Loudspeaker

Declare under our sole responsibility that the product

ID24

Type

On the product

Serial number

2006/95/CE (Low Voltage Directive)

Is in conformity with the provisions of the following
directive including all applicable amendments:

EN ISO 12100, EN 60065

Applied rules and standards:

Joseph CARCOPINO, R&D Director

Plailly, December 18th, 2015



2 WARNINGS

PRECAUTIONS

Do not open the speaker, do not try to disassemble it neither to modify it in any way. The system doesn't include any user-repairable part. If the system seems to be malfunctioning or damaged, stop using it at once and have it repaired by a NEXO qualified technician.

Do not expose the system directly to the sun or to the rain, do not immerse it into fluids, do not place objects filled with liquid on the system. If a liquid gets into the system, please have it inspected by a NEXO qualified technician.

The connection of ID24 should be performed by qualified technician, by ensuring that power is off.

Operating temperature with temperate climate: 0°C to +40°C (-20°C to +60°C for storage).

SAFETY INFORMATIONS

Read this manual before using the speaker.

Keep this manual available for further reference.

Observe all warnings and cautions.

Please check the NEXO Web site nexo-sa.com to get the most up-to-date version of this manual.

Ensure you are aware of the safety rules applying to rigging, stacking or installing on tripod or speaker stand. Failure to observe these rules may expose persons to potential wounds or even death.

Only use the system with accessories specified by NEXO.

Please always consult a NEXO-accredited technician if the installation needs architectural works and observe following precautions:

Mounting Precautions:

- Please select screws and mounting location supporting 4 times the system weight.
- Do not expose the system to excessive dust, vibrations, to extreme cold or hot temperatures, to reduce the risk of damaging components.
- Do not place the system in an unstable position: it could fall accidentally.
- If the system is used on a tripod, please ensure the tripod's specifications are adapted and that it's height does not exceed 1.40m/55". Do not move the tripod with the system in position.

Connection and Powering Precautions:

- Unplug connected cables before moving the system.
- Power off the system before connecting the system.
- When switching on the installation, the amplifier must be powered last; when switching the installation off, shut off the amplifier first.
- If you work by cold temperatures, progressively raise the level to nominal value during the first minutes of use, to allow the system components to stabilize.

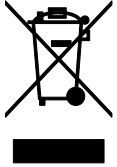
Please check regularly the system condition.

HIGH ACOUSTIC PRESSURE LEVELS

Exposure to very high sound pressure levels may cause permanent hearing losses. Degrees of hearing losses may be different from one person to another, but almost everybody will be affected if exposed to high sound pressure levels during a long period of time. The OSHA (Occupational Safety and Health Administration) American Agency specified the following maximal exposures:

Number of Hours	Sound Pressure Level (dBA), Slow Response
8	90
6	92
4	95
3	97
2	100
1 ½	102
1	105
½	110
¼ or less	115

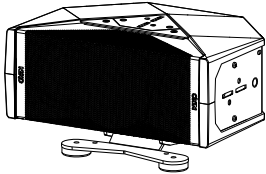
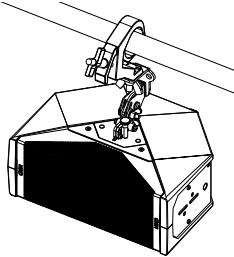
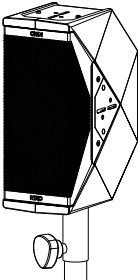
WASTE OF ELECTRIC OR ELECTRONIC EQUIPMENT



This symbol on the product or its packaging indicates that this product must not be treated as household waste. Instead, it is your responsibility to hand it over to a designated collection point for the recycling of waste electrical and electronic equipment. By ensuring your waste equipment is recycled, you will help prevent potential negative consequences for the environment and human health, which could appear if this product was not recycled. Recycling helps spare natural resources. For more information about the recycling of this product, please contact your local city office, your household waste disposal service or your reseller.

3 ID24 – ACCESSORIES

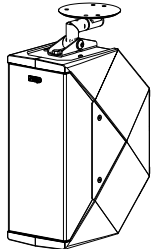
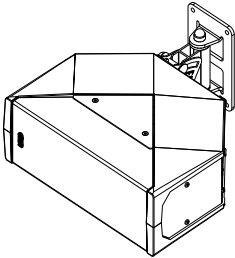
ID24t

<p>IDT-GSTK</p> 	<p>IDT-TCBRK2538-V2 / TCBRK3851-V2 / QRA-V2</p> 	<p>IDT-TVP</p> 
--	--	---

Rigging emplacements :

- 5 prints for IDT-QRA / IDT-TCBRK
- Rear panel plate for IDT-GSTK
- M10 threaded insert for IDT-TVP (**WARNING, for other fasteners, the length of thread must be less than 12mm**).

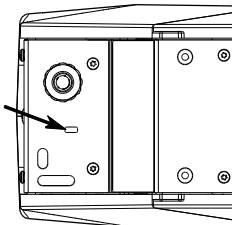
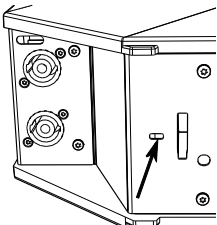
ID24i

<p>IDI-WB02</p> 	<p>IDI-WM01</p> 
--	---

Rigging emplacements :

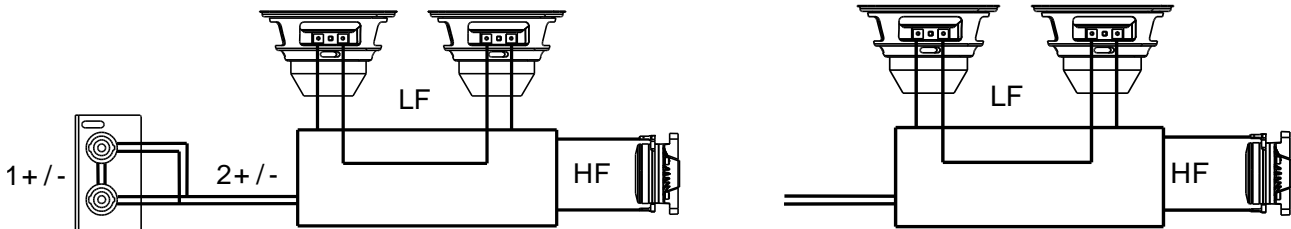
- 6 x M6 threaded inserts on the speaker belt for mounting accessories.

Security Slot: you can find a Kensington Security Slot on each ID24

<p>ID24i</p> 	<p>ID24t</p> 
---	---

4 DESCRIPTION

- The ID24 is a compact full-range 2-way speaker, equipped with two 4" speakers (in a V-shape arrangement) and a rotatable HF horn. The horn can be rotated easily, without tools, to choose the HF covering angle.
- ID24 HF Dispersion :
 - o 60° - 60°: ID.24-I6060 / ID.24-I6060PW / ID.24T6060 / ID.24-C
 - o 90° - 40°: ID.24-I9040 / ID.24-I9040PW / ID.24T9040 / ID.24-C
 - o 120° - 60°: ID.24-I12060 / ID.24-I12060PW / ID.24T12060 / ID.24-C
 - o 120° - 40°: ID.24-I12040 / ID.24-I12040PW / ID.24T12040 / ID.24-C
- The ID24 can be used alone or with a IDS110 or IDS210 subwoofer.
 - o 1x ID24 pour 1x IDS110
 - o 2x ID24 pour 1x IDS210
- Versions :
 - o ID24t : for « Touring » applications.
 - o ID24i : for fixed installations.
 - o ID24c : A la carte.
- Connections :
 - o ID24t: The speaker is equipped with two Speakon NL4 connectors, with parallel-wired pins – the ID24t uses the 2+/- pins. The 1+/- pins are used by the subs.
 - o ID24i: The speaker is supplied with a fixed cable (HO7ZZ-F), 2x1.5mm² section, length 1m, outside diameter 9mm ±1mm.
 - o **(+): brown ; (-) : blue**



- Amplification :
 - o The ID24 speakers **MUST** be used with a NEXO processor to handle EQ, phase alignment, crossover and excursion/thermal protection for the system loudspeakers. There are two NEXO processor series supporting the ID24 speakers: NXAMP (4-channel) amplified processors and DTD processors DTD (stereo + sub). DTD processors ensure optimal performances when used with DTDAMP power amplifiers.
 - o The following table shows the number of ID24 speakers and IDS110 / IDS210 subwoofers usable with each solution.

	NXAMP4x1MK2	NXAMP4x2MK2	NXAMP4x4	DTD + DTDAMP 4x0.7	DTD + DTDAMP 4x1.3
ID24	1 to 4 per channel	1 to 8 per channel	1 to 8 per channel	1 to 3 per channel	1 to 4 per channel
IDS110	1 or 2 per channel	1 or 2 per channel	1 or 2 per channel	1 per channel	1 per channel
IDS210	1 per channel	1 per channel	1 per channel		
	Recommended				

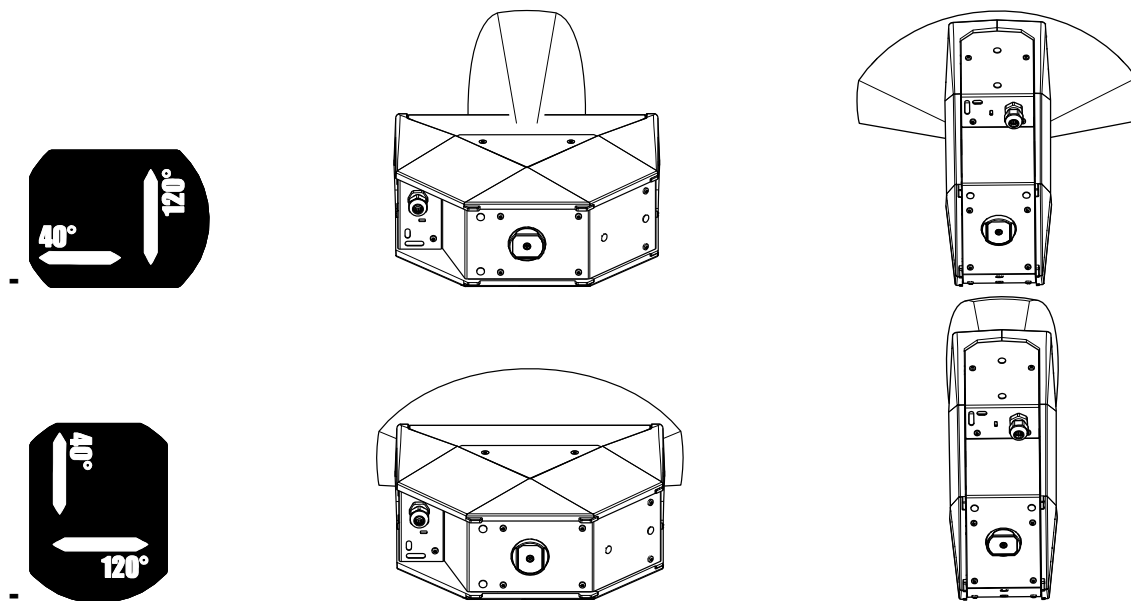
5 SETUPS ID24

ID24 setups are available for each directivity with four different kind of setups targeted for specific applications. Please take some time to listen to these different setups and select the one that matches your needs best. Each setup can be used with three different crossover frequency (total is 4 directivities x 4 kind of setups x 3 crossovers = 48 different setups).

- o MAIN is the recommended setup for most FOH application, similar to previous firmware setup.
- o FRONT FILL is recommended when used as a front fill in a complement of a larger system.
- o MONITOR is recommended for monitor applications. *Warning: this setup is a low latency setup and therefore its phase is not compatible with other Nexo cabinets, including subs.*
- o LOUNGE is recommended for Club and Lounge applications.

6 HORN ROTATION

- The ID24 speaker can be used in horizontal or vertical position.
- The horn can be rotated without tools: push the button on the ID24's rear panel and turn it by 90°.
- Different mounting possibilities and horn rotation allow to deal with every request (e.g. with a 120°x40° horn, below).



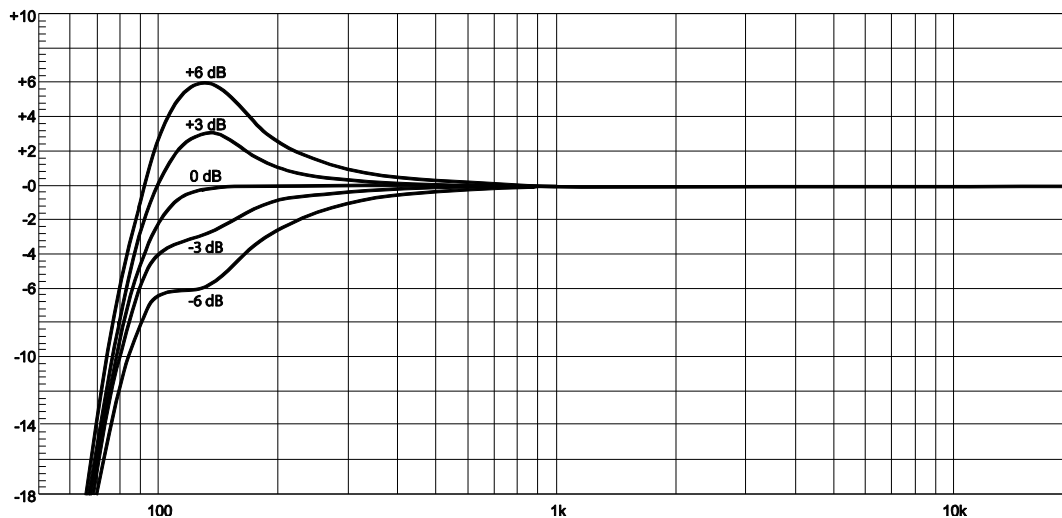
7 CROSSOVER FREQUENCY

Please choose the crossover frequency value according to application:

- 95Hz Full range application.
- 120Hz Use with a NEXO subwoofer, e.g. IDS110 or IDS210.
- 150Hz Use as « front fill » on stage, complementing a main system.

8 ARRAY EQ

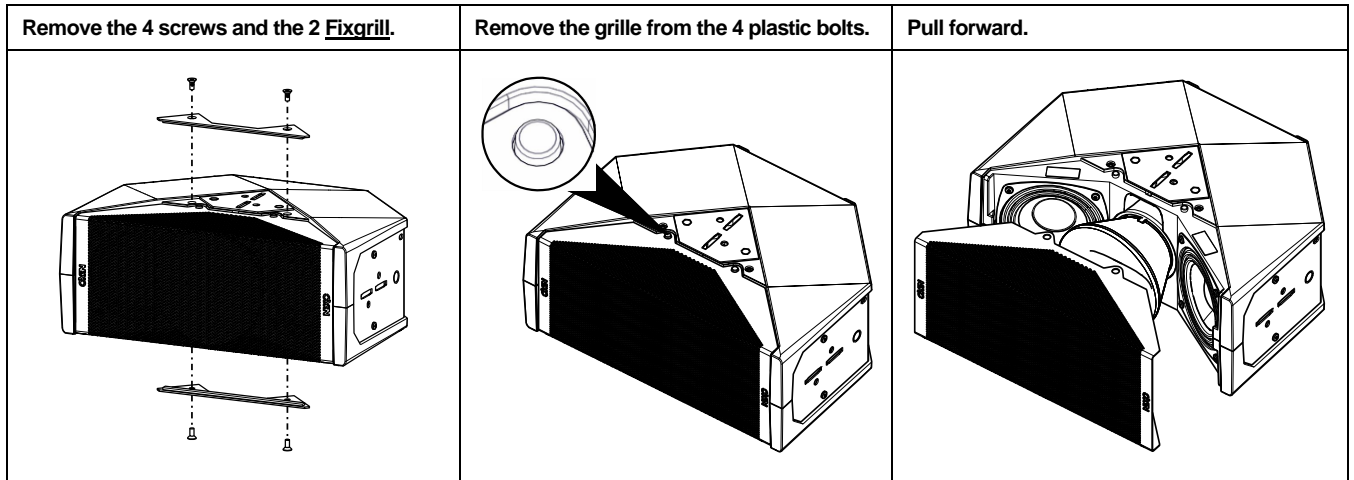
The ArrayEQ allows to adjust the system frequency response in its lower range (see curves below, with different ArrayEQ values):



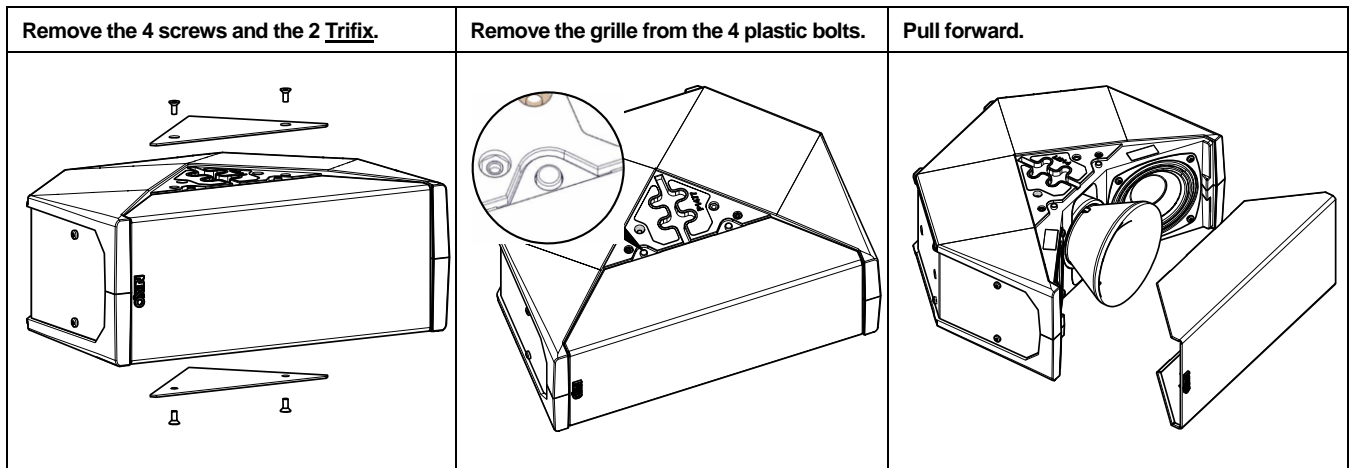
9 MAINTENANCE

9.1 Grille

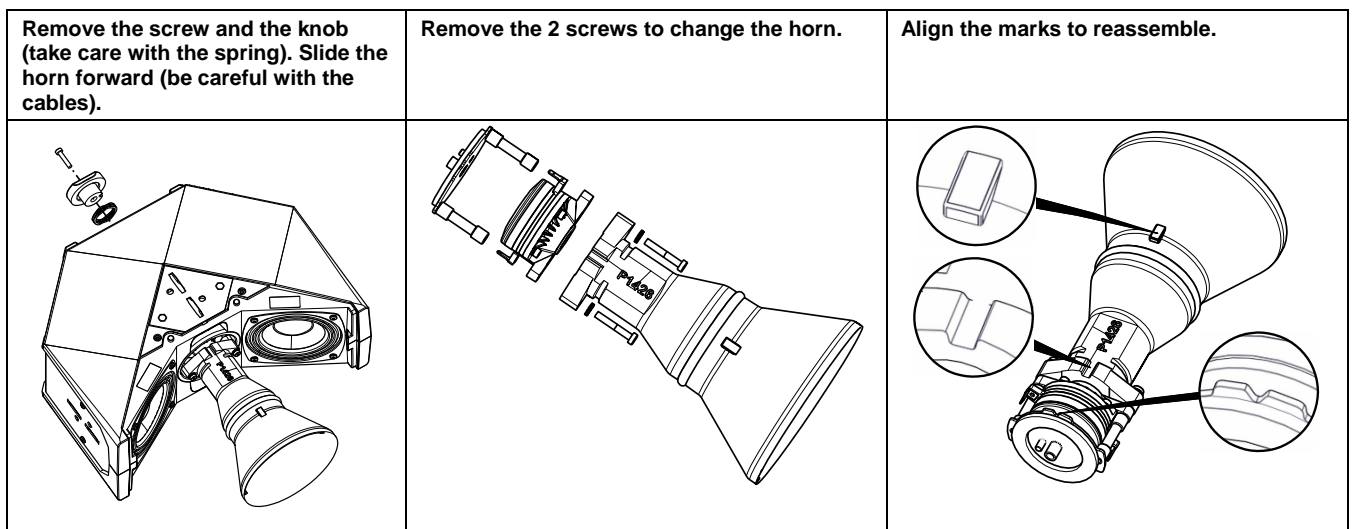
ID24t



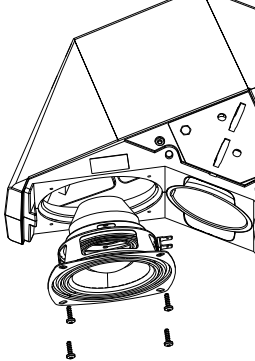
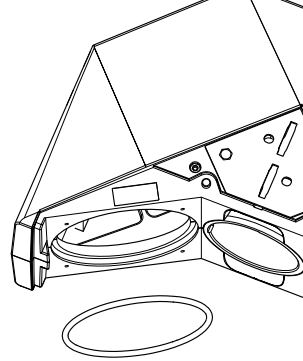
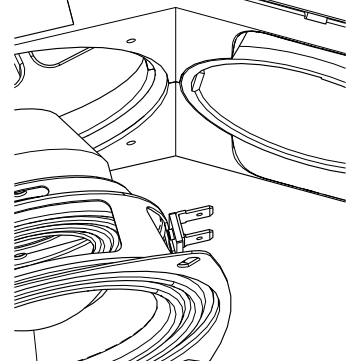
ID24i



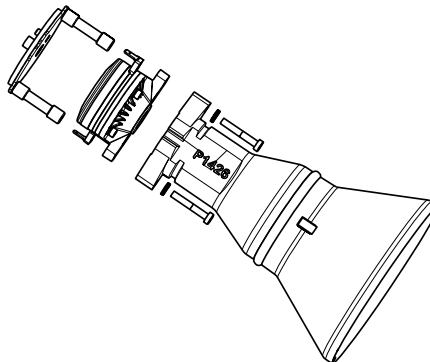
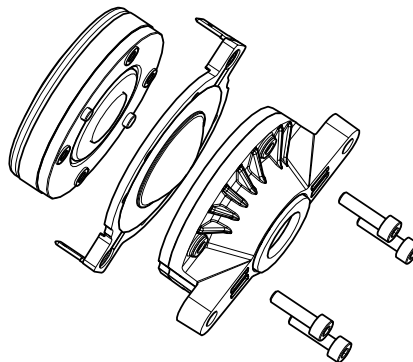
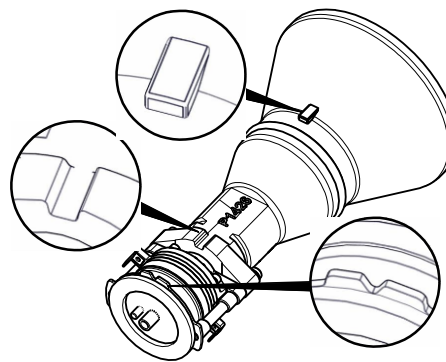
9.2 Horn (remove the grille before)



9.3 4" driver

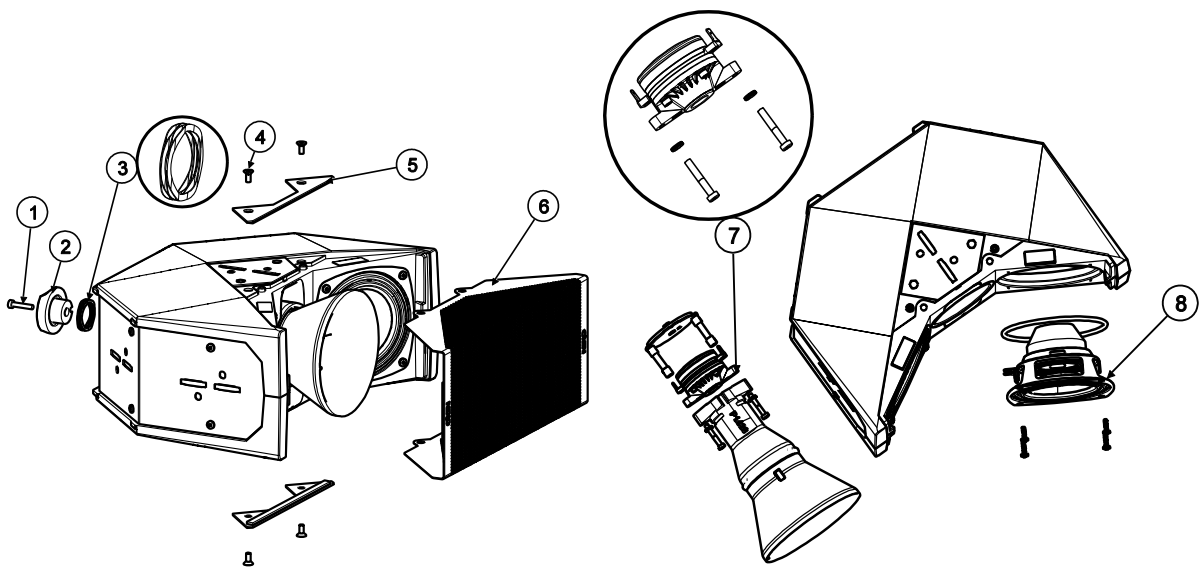
Remove the 4 screws and the driver.	Remove the gasket.	Reassemble the driver with the plug facing towards the horn.
		

9.4 HF Driver

Remove the 2 screws.	Remove the 4 screws for changing the diaphragm.	Align the marks to reassemble.
		

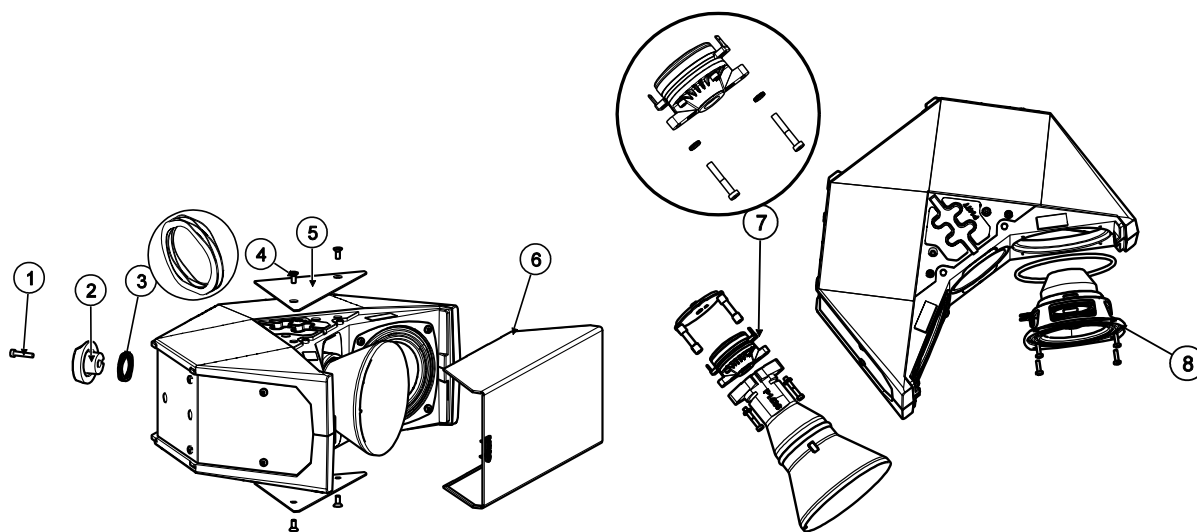
9.5 Spare parts.

ID24t



MARK	QUANTITY	PART REFERENCE	DESIGNATION
1	1	05VXTCX420N	Screw VXTCX M4x20 Bk (x10)
2	1	05KNOB24	Push Button (with 1 – 3, without Lexan)
3	1	-	Wave Spring
4	4	05VXTCFX410N-EL	Screw VXFX M4x10 Bk (x10)
5	2	05AMIDTRMOT	ID24t Fix grid plate (with 4)
6	1	05ID24T-A	ID24t Grid complete
7	1	05HPADE5-16	HF Driver DE5-16 (with screws and washers)
	1	05NH5-16R/K	DE5-16 Diaphragme (with screws and washers)
8	2	05HPB4-8	HP 4" Driver (with gasket and screws)

ID24i



REPERE	QUANTITE	PREFERENCE	DESIGNATION
1	1	05VXTCX420N	Screw VXTCX M4x20 Bk (x10)
2	1	05KNOB24	Push Button (with 1 – 3, wlthout Lexan)
3	1	-	Wave Spring
4	4	05VXTCFX410N-EL	Screw VXFX M4x10 Bk (x10)
	4	05VXTCFX410-EL	Screw VXFX M4x10 W (x10)
5	2	05AMIDTRFX	ID24i Fix Grid Plate Black (with screw4 Bk)
	2	05AMIDTRFXPW	ID24i Fix Grid Plate White(with screw4 W)
6	1	05ID24I-A	ID24i Black Grille (with Logo)
	1	05ID24I-APW	ID24i White Grille (with Logo)
7	1	05HPADE5-16	HF Driver DE5-16 (with screws and washers)
	1	05NH5-16R/K	DE5-16 Diaphragme (with screws and washers)
8	2	05HPB4-8	HP 4" Driver (with gasket and screws)

10 TECHNICAL SPECIFICATIONS

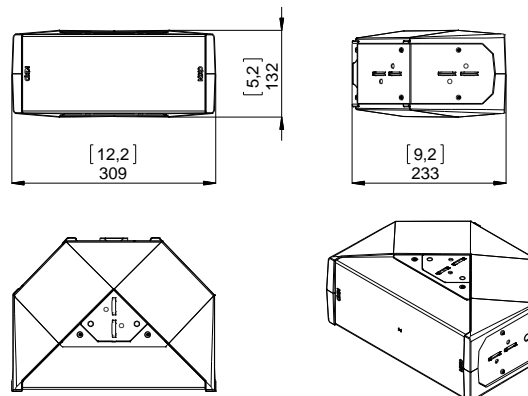
ID24 WITH NEXO ELECTRONICS

Model	ID24i	ID24t	ID24c
Frequency Range	95Hz – 20kHz (+/- 6dB)		
Sensitivity (1W / 1m)	100dB SPL Nominal		
Operating voltage	35Vrms (180 Vpeak)		
Peak SPL Level (1m)	126dB Peak		
HF Dispersion (according to horns)	60°x60° - 90°x40° - 120°x40° - 120°x60°		
Nominal Impedance	16Ω		
Recommended Amplification per box	200 to 500W		

SPECIFICATIONS

Model	ID24i	ID24t	ID24c
Components	LF: 2x4" – Long excursion– Neodymium Magnet HF: 1" driver with ½ " throat – Neodymium Magnet		
Material	Water-resistant Polyurethane		
Finition	White: Structural paint Black: Raw sandblasted polyurethane		A la carte
Grid	Stainless steel Acoustical fabric, black or white	Stainless steel Black paint	A la carte
Rigging	6x 6mm threaded inserts	6x prints for quick rigging M10 threaded insert	A la carte, among: 6x Inserts 6mm 6x prints for quick rigging M10 threaded insert
Weight	6 kg – 13 lb		

Dimensions



Application Notes are available on the NEXO Web site, nexo-sa.com

11 USER NOTES

France

Nexo S.A.

Parc d'activité de la Dame Jeanne

F-60128 PLAILLY
Tel: +33 3 44 99 00 70
Fax: +33 3 44 99 00 30
E-mail: info@nexo.fr

nexo-sa.com