

PHILIPS

Strand Lighting

DIM1 Single Channel Dimmer



Philips Strand Lighting - Dallas

10911 Petal Street
Dallas, TX 75238
Tel: 214-647-7880
Fax: 214-647-8030

Philips Strand Lighting - Auckland

19-21 Kawana Street
Northcote, Auckland 0627
New Zealand
Tel: +64 9 481 0100
Fax: +64 9 481 0101

Philips Strand Lighting - New York

267 5th Ave, 4th Floor
New York, NY 10016
Tel: 212-213-8219
Fax: 212-532-2593

Philips Strand Lighting - Europe

Marssteden 152
Enschede 7547 TD
The Netherlands
Tel: +31 53 4500424
Fax: +31 53 4500425

Philips Strand Lighting - Asia Limited

Room 6-10, 20/F Delta House 3 On Yiu Street
Shatin, N.T. Hong Kong
Tel: + 852 2757 3033
Fax: + 852 2757 1767

Website:

www.strandlighting.com

The material in this manual is for information purposes only and is subject to change without notice. Philips Strand Lighting assumes no responsibility for any errors or omissions which may appear in this manual. For comments and suggestions regarding corrections and/or updates to this manual, please visit the Philips Strand Lighting web site at www.seleconlight.com or contact your nearest Philips Strand Lighting office.

El contenido de este manual es solamente para información y está sujeto a cambios sin previo aviso. Philips Strand Lighting no asume responsabilidad por errores o omisiones que puedan aparecer. Cualquier comentario, sugerencia o corrección con respecto a este manual, favor de dirijirlo a la oficina de Philips Strand Lighting más cercana.

Der Inhalt dieses Handbuches ist nur für Informationszwecke gedacht, Aenderungen sind vorbehalten. Philips Strand Lighting uebernimmt keine Verantwortung für Fehler oder Irrtuemer, die in diesem Handbuch auftreten. Für Bemerkungen und Verbesserungsvorschlaege oder Vorschlaege in Bezug auf Korrekturen und/oder Aktualisierungen in diesem Handbuch, moechten wir Sie bitten, Kontakt mit der naechsten Philips Strand Lighting-Niederlassung aufzunehmen.

Le matériel décrit dans ce manuel est pour information seulement et est sujet à changements sans préavis. La compagnie Philips Strand Lighting n'assume aucune responsabilité sur toute erreur ou ommission inscrite dans ce manuel. Pour tous commentaires ou suggestions concernant des corrections et/ou les mises à jour de ce manuel, veuillez s'il vous plait contacter le bureau de Philips Strand Lighting le plus proche.

Note: Information contained in this document may not be duplicated in full or in part by any person without prior written approval of Philips Strand Lighting. Its sole purpose is to provide the user with conceptual information on the equipment mentioned. The use of this document for all other purposes is specifically prohibited.

Document Number: **STR-75821**

Version as of: **10 November 2010**

DIM1 Portable Dimmer Installation & User's Manual

©2010 Philips Group. All rights reserved.

IMPORTANT INFORMATION

Warnings and Notices

When using electrical equipment, basic safety precautions should always be followed including the following:



- a. **READ AND FOLLOW ALL SAFETY INSTRUCTIONS.**
- b. For indoor, dry locations use only. Do not use outdoors.
- c. Do not mount near gas or electric heaters.
- d. Equipment should be mounted in locations and at heights where it will not readily be subjected to tampering by unauthorized personnel.
- e. The use of accessory equipment not recommended by the manufacturer may cause an unsafe condition.
- f. Not for residential use. Do not use this equipment for other than intended use.
- g. Refer service to qualified personnel.

SAVE THESE INSTRUCTIONS.



WARNING: You must have access to a main circuit breaker or other power disconnect device before installing any wiring. Be sure that power is disconnected by removing fuses or turning the main circuit breaker off before installation. Installing the device with power on may expose you to dangerous voltages and damage the device. A qualified electrician must perform this installation.

WARNING: Refer to National Electrical Code® and local codes for cable specifications. Failure to use proper cable can result in damage to equipment or danger to personnel.

WARNING: This equipment is intended for installation in accordance with the National Electric Code® and local regulations. It is also intended for installation in indoor applications only. Before any electrical work is performed, disconnect power at the circuit breaker or remove the fuse to avoid shock or damage to the control. It is recommended that a qualified electrician perform this installation.

Additional Resources for DMX512

For more information on installing DMX512 control systems, the following publication is available for purchase from the United States Institute for Theatre Technology (USITT), "Recommended Practice for DMX512: A Guide for Users and Installers, 2nd edition" (ISBN: 9780955703522). USITT Contact Information:

USITT
6443 Ridings Road
Syracuse, NY 13206-1111 USA
1-800-93USITT
www.usitt.org

Philips Strand Lighting Limited Two-Year Warranty

Philips Strand Lighting offers a two-year limited warranty of its products against defects in materials or workmanship from the date of delivery. A copy of Philips Strand Lighting two-year limited warranty containing specific terms and conditions can be obtained from the Philips Strand Lighting web site at www.strandlighting.com or by contacting your local Philips Strand Lighting office.

TABLE OF CONTENTS

IMPORTANT INFORMATION	
Warnings and Notices.....	1
Additional Resources for DMX512.....	1
Philips Strand Lighting Limited Two-Year Warranty.....	1
TABLE OF CONTENTS	
PREFACE	
About this Manual	3
Getting Started	3
Unpack the Dimmer	3
DIM1 PORTABLE DIMMER OVERVIEW	
DIM1 Portable Dimmer Components.....	4
Single Channel Dimmer	4
External Remote Fader	5
INSTALLATION AND SET UP	
Power Requirements.....	6
Connecting Loads	6
Acceptable Load Types	6
Connecting a DMX512 Network.....	6
OPERATION	
Overview.....	7
Control Functions	7
Menu System	7
Setting DMX Address	7
Setting DIM1 Portable Dimmer to Dimming Mode.....	8
Setting DIM1 Portable Dimmer to Switching Mode.....	9
Cleaning and Care Instructions.....	10
Replacing the Fuse.....	10
TECHNICAL SPECIFICATIONS	
DIM1 Portable Dimmer Specifications	11

PREFACE

1. About this Manual

The document provides installation and operation instructions for the following products:

- DIM1 Portable Dimmer with UK 15A Connector (catalog number 75821)
- DIM1 Portable Dimmer with Australian Connector (catalog number 75822)
- DIM1 Portable Dimmer with Schuko Connector (catalog number 76574)

Please read all instructions before installing or using this product. *Retain this manual for future reference.* Additional product information and descriptions may be downloaded at www.strandlighting.com.

2. Getting Started

Unpack the Dimmer

Unpack the dimmer from the packaging and check that the following components are contained within. If any parts are missing, or damaged, please contact the carrier and your nearest Philips Strand Lighting office.



DIM1 Portable Single Channel Dimmer
(Note, 75822 shown)



DIM1 External Remote Fader

Sixer Console Components for 120V Markets (catalog number 75801):

- DIM1 Portable Dimmer
- External Remote Fader
- Installation & User's Manual (this document)

DIM1 PORTABLE DIMMER OVERVIEW

1. DIM1 Portable Dimmer Components Single Channel Dimmer



External Remote Fader



INSTALLATION AND SET UP

1. Power Requirements

The DIM1 Portable Dimmer operates on 230 / 240 volts AC at 50 Hz. It is powered via its supplied AC power cable. The dimmer draws up to 10 Amps (maximum). The unit contains an on-board, replaceable 10A fuse. Refer to ["Replacing the Fuse" on page 10](#) for fuse replacement instructions.

2. Connecting Loads

The DIM1 Portable Dimmer is available with three types of AC input and load connectors. Refer to ["About this Manual" on page 3](#) for details. Depending on model purchased, connect the dimmer to a suitable power source and then connect load to dimmer.



WARNING! Do not alter or change the AC input or load connectors on the DIM1 Portable Dimmer. Doing so will void the product warranty. Any service or maintenance should only be performed by Strand Lighting or an Authorized Strand Lighting Service Center.

Acceptable Load Types

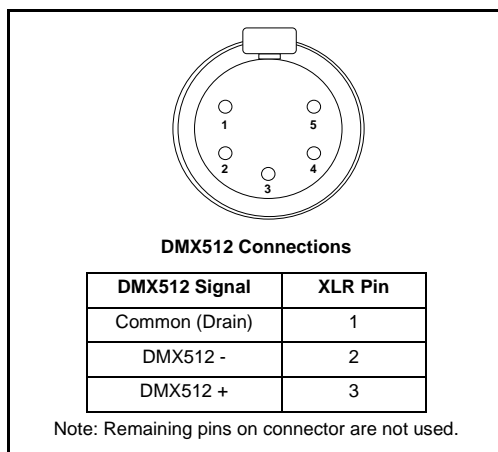
The DIM1 Portable Dimmer can handle the following loads (up to its specified ratings) only:

Load Type	DIM1 Mode	
	Dimming	Switch (Non-Dim)
Incandescent	Yes	Yes
Fluorescent	No	Yes
Inductive	No	Yes
LED	No	Yes

3. Connecting a DMX512 Network

Basic DMX512 installation consists of connecting a DIM1 Portable Dimmer to a DMX512 controller in "daisy-chain" fashion. A cable runs from the DMX512 controller to a DIM1 Portable Dimmer and to other DMX512 devices in the system. Note, the DIM1 Portable Dimmer does not have to be first device in the DMX512 signal chain.

Note: For more information on DMX512 networking and systems, refer to ["Additional Resources for DMX512" on page 1](#). For DIM1 Portable Dimmer DMX512 menu operation, refer to ["OPERATION" on page 7](#).



OPERATION

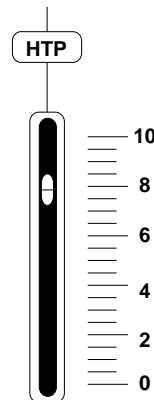
1. Overview

The DIM1 Portable Dimmer offers simple dimming and switch control to luminaires, color changers, or other loads that do not have the on-board capability to be controlled by DMX512. The DIM1 Portable Dimmer can be setup to operate in either dimmer or non-dim (switching) mode.

2. Control Functions

The DIM1 Portable Dimmer is controlled via DMX512 or its on-board (or external remote), simple-to-use fader.

- The on-board or external fader adjusts channel light intensity.



DIM1 On-Board Fader

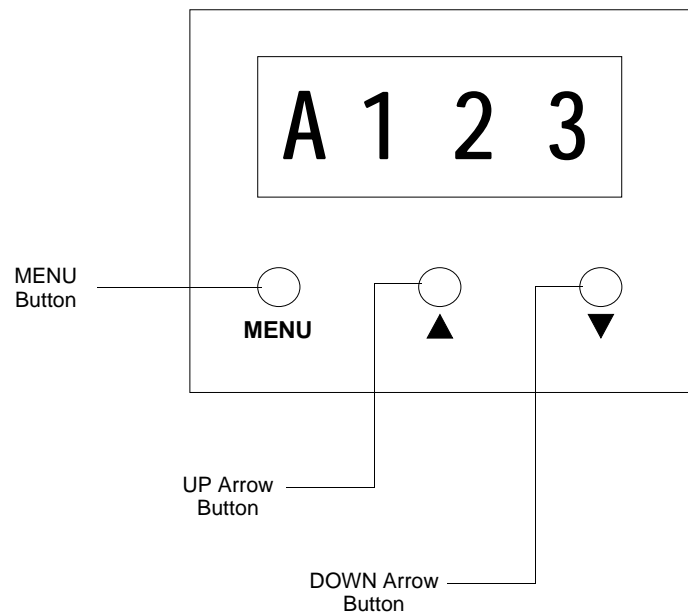
- The fader can be used to control the connected load for dimming or switching operation. It also can set the HTP (Highest Takes Precedence) operation of the unit.
- For DMX512 operation, the unit must have its DMX512 set through its on-board menu system. For details, see "[Setting DMX Address](#)".

3. Menu System

Setting DMX Address

To set the DMX address on the DIM1 Portable Dimmer:

- Step 1. Connect dimmer to a suitable AC source.
- Step 2. The unit will display the current DMX address. If the display does not show an "A", press **Menu** button until an "A" appears. The unit is in DMX Addressing mode. Note, during DMX addressing, the unit's output is disabled.
- Step 3. At menu, using UP and DOWN arrow buttons, set DMX address as desired.

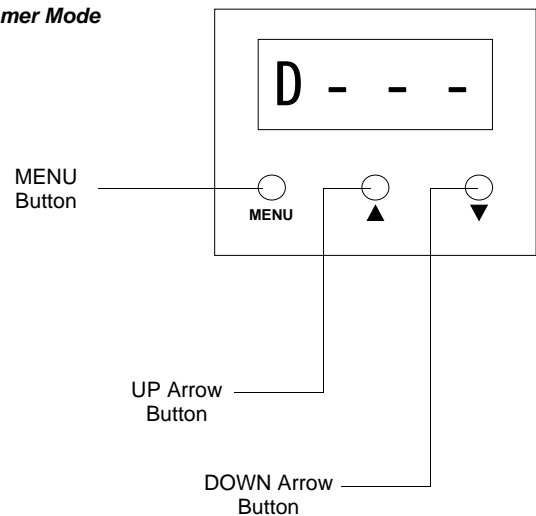


Setting DIM1 Portable Dimmer to Dimming Mode

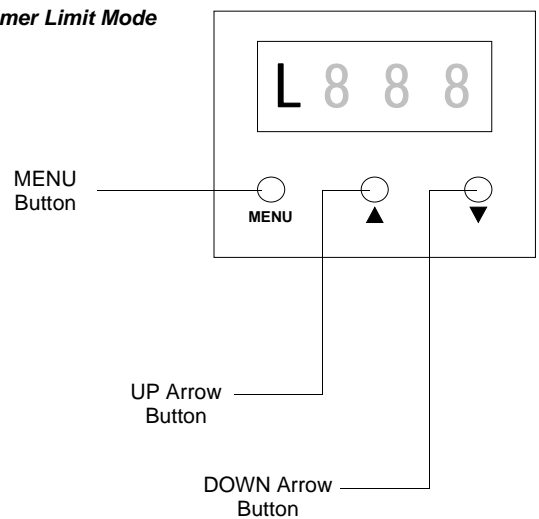
To set the DIM1 Portable Dimmer to dimming mode:

- Step 1. Connect dimmer to a suitable AC source.
- Step 2. The unit will display the current DMX address.
- Step 3. Tap UP or DOWN arrow buttons until a "D" appears. The unit is in Dimming mode.
- Step 4. Press MENU button until a "L" appears. The unit is in Dimmer Limit mode.
- Step 5. At menu, using UP and DOWN arrow buttons, set Dimmer Limit as desired (between 10 and 100 percent). This will set the dimmer's upper limit. Note, Tap buttons to advance one value up or one value down. Press and hold to change values quickly.
- Step 6. Once the Dimmer Limit is selected and set, it is saved automatically.
- Step 7. Press MENU button to enter Dimmer Preset Mode.
- Step 8. At menu, using UP and DOWN arrow buttons, set Dimmer Preset value as desired (between 00 and 100). This will set the dimmer's preset.
- Step 9. Once all values or selections are complete, press MENU button to exit and save options. The unit should display its current DMX address.

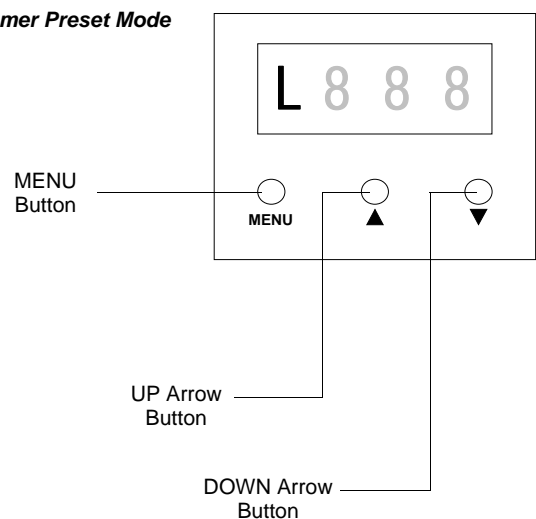
Entering Dimmer Mode



Entering Dimmer Limit Mode



Entering Dimmer Preset Mode

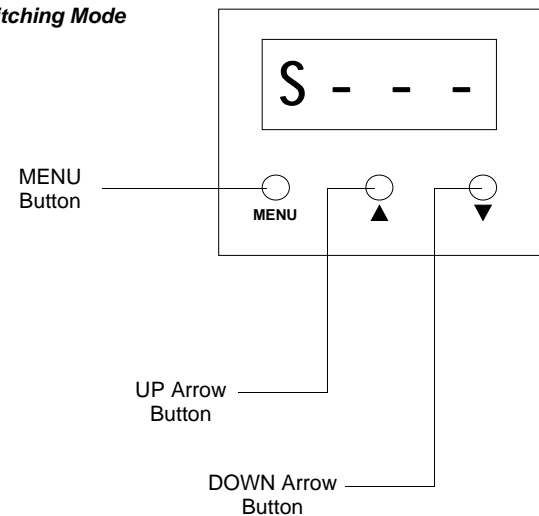


Setting DIM1 Portable Dimmer to Switching Mode

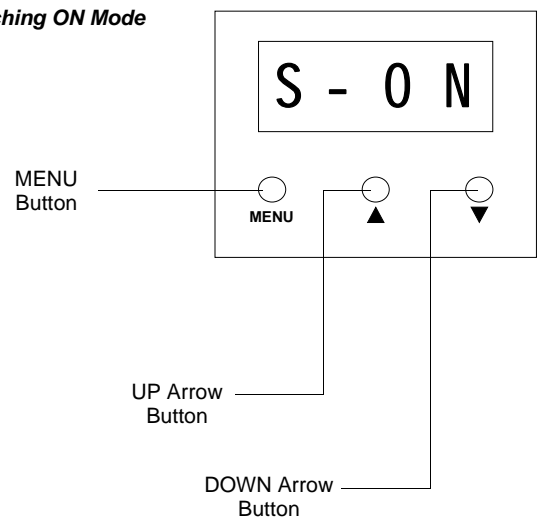
To set the DIM1 Portable Dimmer to switching mode:

- Step 1. Connect dimmer to a suitable AC source.
- Step 2. The unit will display the current DMX address.
- Step 3. Tap UP or DOWN arrow buttons until a "S" appears. The unit is in Dimming mode.
- Step 4. Press Menu button to enter Switching Mode.
- Step 5. Switching mode consists of:
 - a. **S-ON** (Switching Mode ON).
In S-ON mode, the output of DIM1 is switched ON regardless of DMX512 control signal.
 - b. **S-OFF** (switching mode OFF).
In S-OFF mode, DIM1, when it sees a DMX512 value of 40% or more, the unit turns ON the load. When the DMX512 value is less than 40%, it turns the load OFF.
- Step 6. Once the Switching Mode is selected and set, it is saved automatically.
- Step 7. Once all selections are complete, press MENU button to exit and save options. The unit should display its current DMX address.

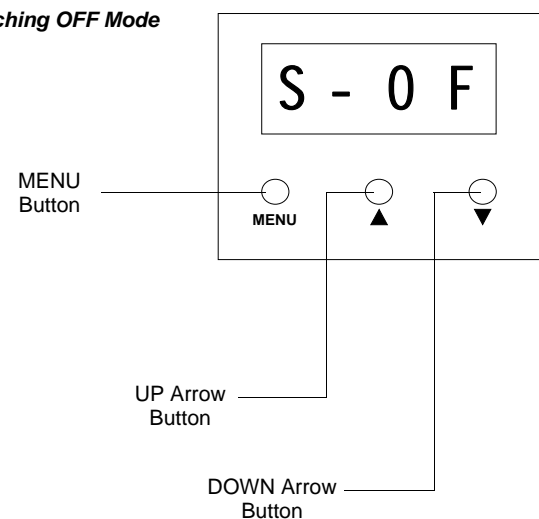
Entering Switching Mode



Setting Switching ON Mode



Setting Switching OFF Mode



4. Cleaning and Care Instructions



WARNING! All cleaning should be performed with power completely removed from the unit. Never attempt to open unit. There are no user-serviceable parts. Under no circumstances should ammonia-based cleaners, acetone, or other harsh solvents be used on or near the DIM1 Portable Dimmer. These types of cleaners or solvents can permanently damage the unit.

Being a solid-state device, the DIM1 Portable Dimmer requires very little routine maintenance by the user. See "[Warnings and Notices](#)" on page 1 for additional information and warnings.

- Each time, before using, check the condition of all connectors. If any connectors or the unit shows signs of damage, do not use.
- Disconnect DIM1 Portable Dimmer from AC supply source when not in use.
- Allow for adequate ventilation around unit. Do not install unit in an enclosure or restrict airflow.
- Should the unit become dirty, unplug from power source and clean unit using a lint-free cleaning cloth.

If you have any questions regarding the use or care of your DIM1 Portable Dimmer, please contact Philips Strand Lighting technical support or your local Authorized Dealer.

5. Replacing the Fuse



WARNING! Remove and disconnect power source completely before replacing the fuse. Setting the dimmer to its lowest level does not disconnect power from unit.



WARNING! Any service and maintenance, other than described herein, should be performed by an Authorized Philips Strand Lighting Dealer or Service Center. The DIM1 Portable Dimmer contains no user-serviceable parts.

To replace the fuse in a DIM1 Portable Dimmer:

- Step 1. Disconnect unit from AC supply source.
- Step 2. At fuse compartment, remove fuse cover using a flat screwdriver.



Fuse Compartment
(F10A, 250V 5 x 20 mm Fuse)

- Step 3. Replace fuse with a specified fuse (F10A, 250V 5 x 20 mm Fuse).
- Step 4. Replace fuse cover.
- Step 5. Reconnect DIM1 Portable Dimmer to power source and test operation.

TECHNICAL SPECIFICATIONS

1. DIM1 Portable Dimmer Specifications

Supply Voltage:	230 / 240VAC, 3-Phase up to 60A
Current:	10 Amps (maximum)
Frequency:	50/60Hz
Rise Time:	110 microsecond chokes
Control Signal:	DMX512 (1990)
DMX512 Connections:	DMX512 Input / Output (thru) 5-Pin Connectors
Ambient Temperature:	0 to 37 degrees C (32 to 99 degrees F)
Humidity:	0%-95% Non condensing
Weight:	1.1 kg (2.4 lbs)
Dimensions:	DIM1: 185 mm (H) x 93 mm (W) x 80 mm (D) / 7.3 in (H) x 3.7 in (W) x 3.2 in (D)
Compliance:	CE Marked, EMC emissions to EN5008-1, EMC emissions to EN50081-1, EN55014; EMC immunity to EN50082-1, IEC1000-2-2; Also part 12 BS5486, design and Build: ISO9000, UL 1950

Note: For complete model specifications, features, etc., refer to the product specification sheet or visit the Philips Strand Lighting web site at www.strandlighting.com for more details.





PHILIPS

Strand Lighting

Strand Lighting
Dallas
10911 Petal Street
Dallas, TX 75238
Tel: 214-647-7880
Fax: 214-647-8031

Strand Lighting
New York
267 5th Ave, 4th Floor
New York, NY 10016
Tel: 212-213-8219
Fax: 212-532-2593

Strand Lighting Asia Limited
Room 6-10,
20/F Delta House 3 On Yiu Street
Shatin, N.T. Hong Kong
Tel: + 852 2757 3033
Fax: + 852 2757 1767

Strand Selecon
Auckland
19-21 Kawana Street
Northcote, Auckland 0627
New Zealand
Tel: +64 9 481 0100
Fax: +64 9 481 0101

Strand Lighting
Europe
Marssteden 152
Enschede 7547 TD
The Netherlands
Tel: +31 53 4500424
Fax: +31 53 4500425

www.strandlighting.com