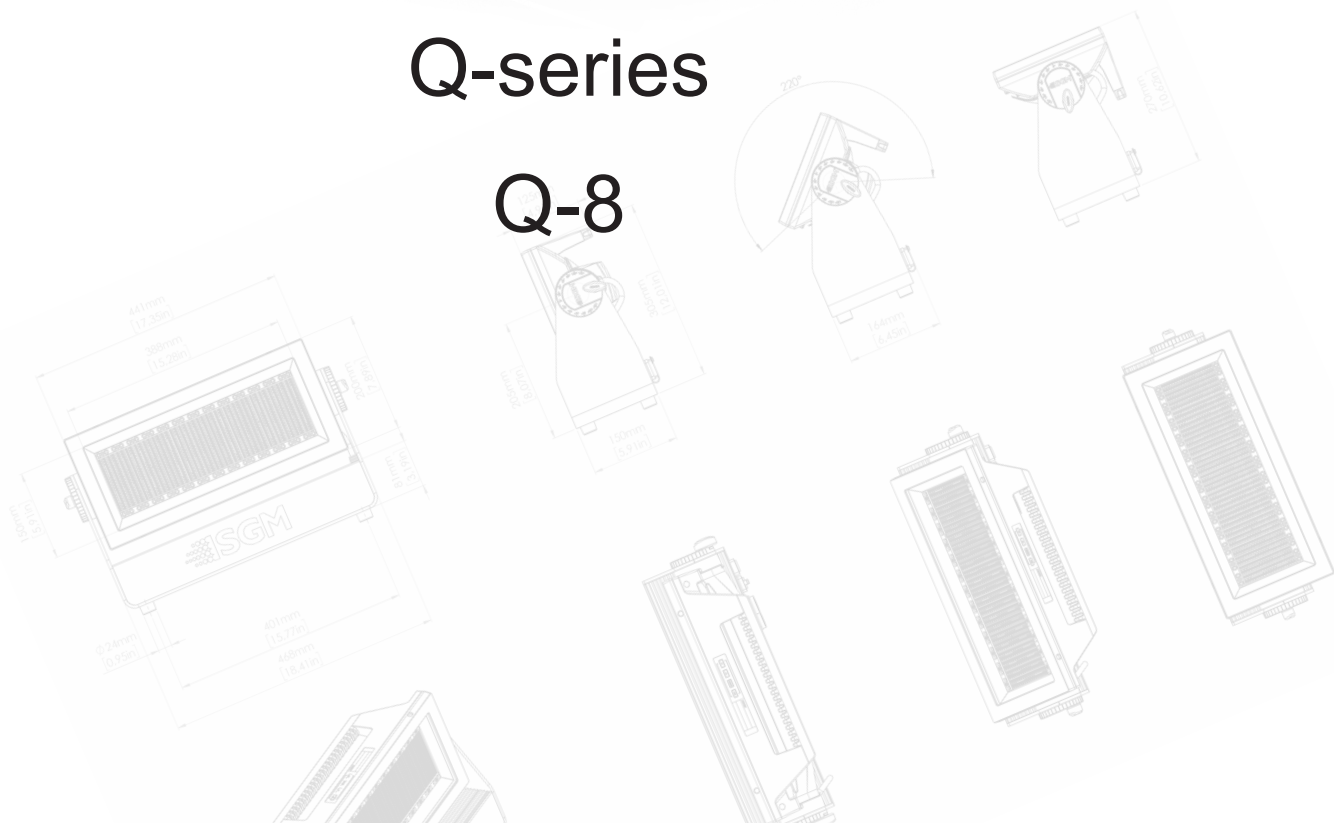


USER MANUAL

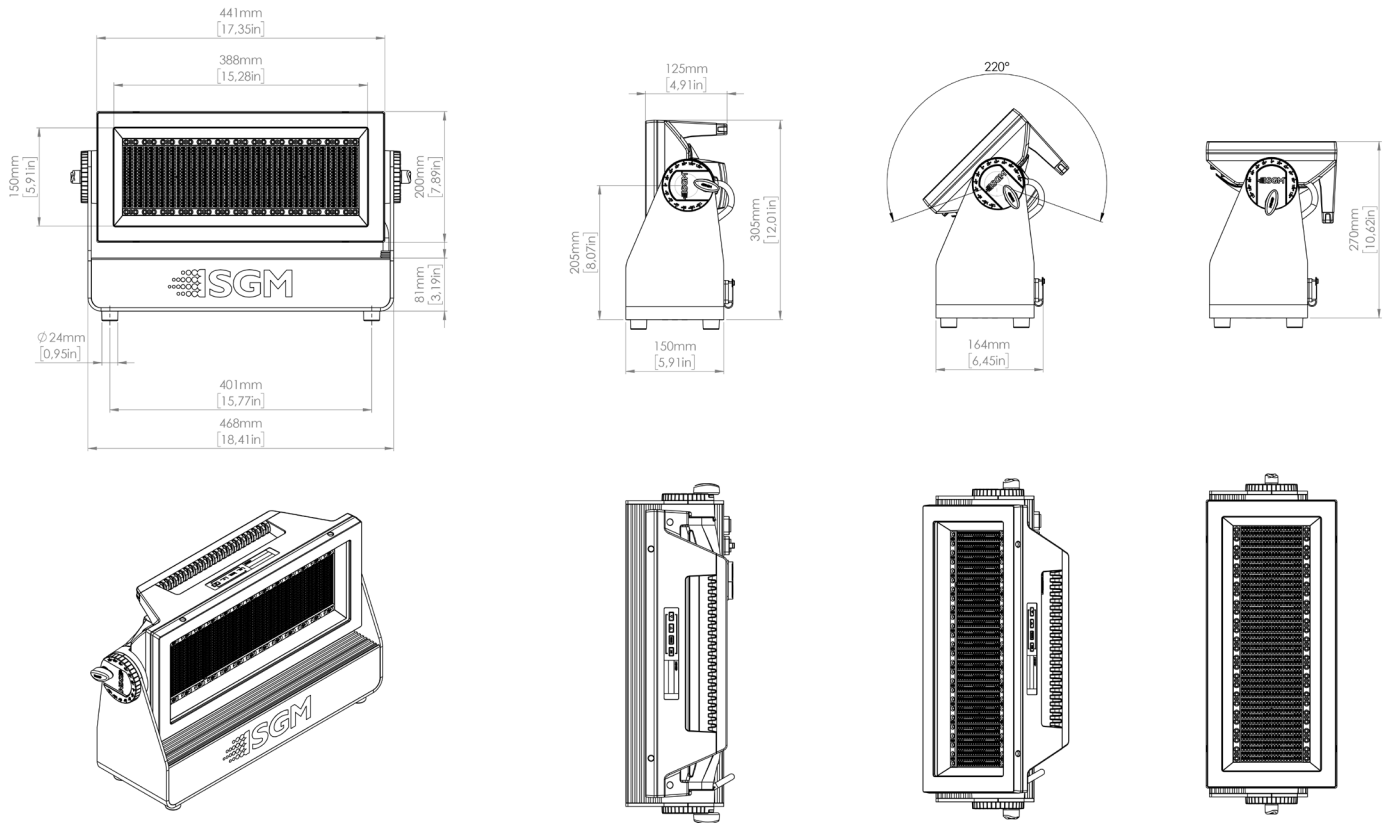


Q-series

Q-8



Q-8 dimensions



All dimensions in millimeters and inches. Drawing not to scale.

This manual covers installation, use, and maintenance of the SGM Q-8.
A digital version is available at www.sgmlight.com, or upon request via support@sgmlight.com.

Q-8 USER MANUAL REV. C

© 2021 SGM Light A/S®. The information in this document is subject to change without notice.

SGM and all affiliated companies disclaim liability for any injury, damage, direct or indirect loss, consequential or economic loss, or any other loss occasioned by the use of, inability to use, or reliance on the information contained in this manual. The SGM logo, the SGM name, and all other trademarks in this document pertaining to SGM services or SGM products are trademarks owned or licensed by SGM, its affiliates, and subsidiaries.

This edition applies to firmware version 1.27 or later.

English edition

Contents

Q-8 dimensions	2
Safety information	4
Before installing this product	5
Overview	6
Q-8 features.....	6
Parts identification and terminology.....	6
Preparing for installation	7
Unpacking.....	7
Location / application.....	7
Transportation.....	7
Installing / rigging the Q-8	7
Rigging process using SGM Omega brackets.....	8
Tilt Lock	8
Angle indicator.....	8
Connecting AC power	9
Configuring the device	9
Using the display panel.....	10
Display.....	10
Error Indicator.....	10
Shortcuts.....	10
Connecting to a DMX control device	10
Wireless DMX.....	10
Configuring the device for DMX control	11
About DMX	11
DMX Start address	11
Set/edit DMX address.....	11
DMX modes.....	11
Q-8 Connection Diagram.....	12
Using standalone operation	12
Setting a static color manually.....	12
Fixture properties	13
Factory default.....	13
Effects.....	13
Individual fixture settings.....	13
Control menu	14
RDM	15
Supported RDM functions.....	15
RDM Functions.....	15
Sensors.....	15
Troubleshooting	16
Accessories	16
Barndoors.....	16
Filter frames.....	17
Anti-glare shields.....	17
Maintenance	18
SGM Vacuum Test kit.....	18
Fixtures and accessories	19
Ordering information.....	19
Q-8 Accessories.....	19
Support hotline	19
Approvals and certifications	19

Safety information



WARNING!

Read the following safety precautions carefully before unpacking, installing, powering, or operating the device.



SGM luminaries are intended for professional use only. They are not suitable for household use.

Les luminaires SGM sont impropres à l'usage domestique. Uniquement à usage professionnel.

This product must be installed in accordance with the applicable installation code by a person familiar with the construction and operation of the product and the hazards involved.

Ce produit doit être installé selon le code d'installation pertinent, par une personne qui connaît bien le produit et son fonctionnement ainsi que les risques inhérents.



DANGER! Risk of electric shock. Do not open the device.

- Do not open the device; there are no user-serviceable parts inside.
- Ensure that power is cut off when wiring the device to the AC mains supply.
- Ensure that the device is electrically connected to earth (ground).
- Do not apply power if the device or mains cable is in any way damaged.
- Do not immerse the fixture in water or liquid.



WARNING! Take measures to prevent burns and fire.

- Install in a location that prevents accidental contact with the device.
- Install only in a well-ventilated space.
- Install at least 0.3 m (12 in.) away from objects to be illuminated.
- Install only in accordance with applicable building codes.
- Ensure a minimum clearance of 0.3 m (12 in.) around the cooling fans.
- Do not paint, cover, or modify the device, and do not filter or mask the light.
- Keep all flammable materials well away from the device.
- Allow the device to cool for 15 minutes after operation before touching it

CAUTION: Exterior surface temperature after 5 min. operation = 47 °C (117 °F). Steady state = 60 °C (140 °F).



WARNING! Take measures to prevent personal injury.

- Do not look directly at the light source from close range.
- Take precautions when working at height to prevent injury due to falls.
- For a temporary installation with clamps, ensure that the quarter-turn fasteners are turned fully and secured with a suitable safety cable.
- For elevated installations, secure the fixture with suitable safety cables and always comply with relevant load dimensioning, safety standards and requirements.
- The standard safety wire cable must be approved for a safe working load (SWL) of 10 times the weight of the fixture, and it must have a minimum gauge of 4 mm.

Before installing this product

Please visit the SGM official website at www.sgmlight.com for the latest version of this user manual / safety information leaflet. Due to continuous improvements, the instructions may change without notice. SGM always recommends the latest available firmware version from www.sgmlight.com.



External cleaning and visual inspection of the fixture

All users of SGM luminaires should regularly clean those parts of the luminaire directly exposed to the elements, such as the external housing and front lenses. Additionally, all owners of SGM luminaires must periodically check the external housing of the luminaire for structural breaks, components in bad shape, cracked lenses, or loose screws. To ensure proper operation, but also to prevent the risk of potential accidents, do not use the luminaire if the lens, housing, or power cables are damaged. If parts of the luminaire appear to be missing, cease use immediately and contact SGM support.



Wiring and conduit / containment

SGM luminaires supplied with power and data cable leads are not intended for installation in permanently installed conduit or containment. When installing luminaires in a permanent installation, ensure cable leads are installed as a service loop to an appropriately rated junction box using suitable cable strain reliefs / glands. All installed luminaires must be securely mounted and service loop appropriately protected for installation location. All electrical wiring and connections should be completed by a qualified electrician.



Safety Precautions

When using electrical equipment, basic safety precautions should always be followed including the following:

1. Do not mount near gas or electric heaters.
2. Permanently installed equipment should be mounted in locations and at heights where it will not readily be subjected to tampering by unauthorized personnel.
3. The use of accessory equipment not recommended by the manufacturer may cause an unsafe condition.
4. Do not use this equipment for other than intended use.
5. Refer service to qualified personnel or authorized service centers.
6. Do not look directly into the beam for long periods of time, when the fixture is on.
7. The luminaire shall, under no circumstance, be covered with insulating material of any kind.

READ AND FOLLOW ALL SAFETY INSTRUCTIONS.

Overview

The Q-8 RGBW LED is a luminaire with high output, designed for multiple applications, including applications where wireless operation is essential.

Q-8 features

- Powerful RGBW LED Flood Strobe Blinder.
- A strobe light, a flood light, a pixel light, and a blinder with a non-fading continuous output.
- IP66 rating enables operation in all kinds of environmental settings and in temperatures from -40° C to 50° C.
- Fully adjustable CTC from 2,000 K to 10,000 K for all colors.
- Built-in wireless DMX and preset-able standalone programs.
- Fully RDM implemented.
- Integrated handle eases the transport, rigging, and positioning of the luminaire.
- Rubber feet meant for delicate surfaces, while at the same time prevent fixture from sliding.

Parts identification and terminology

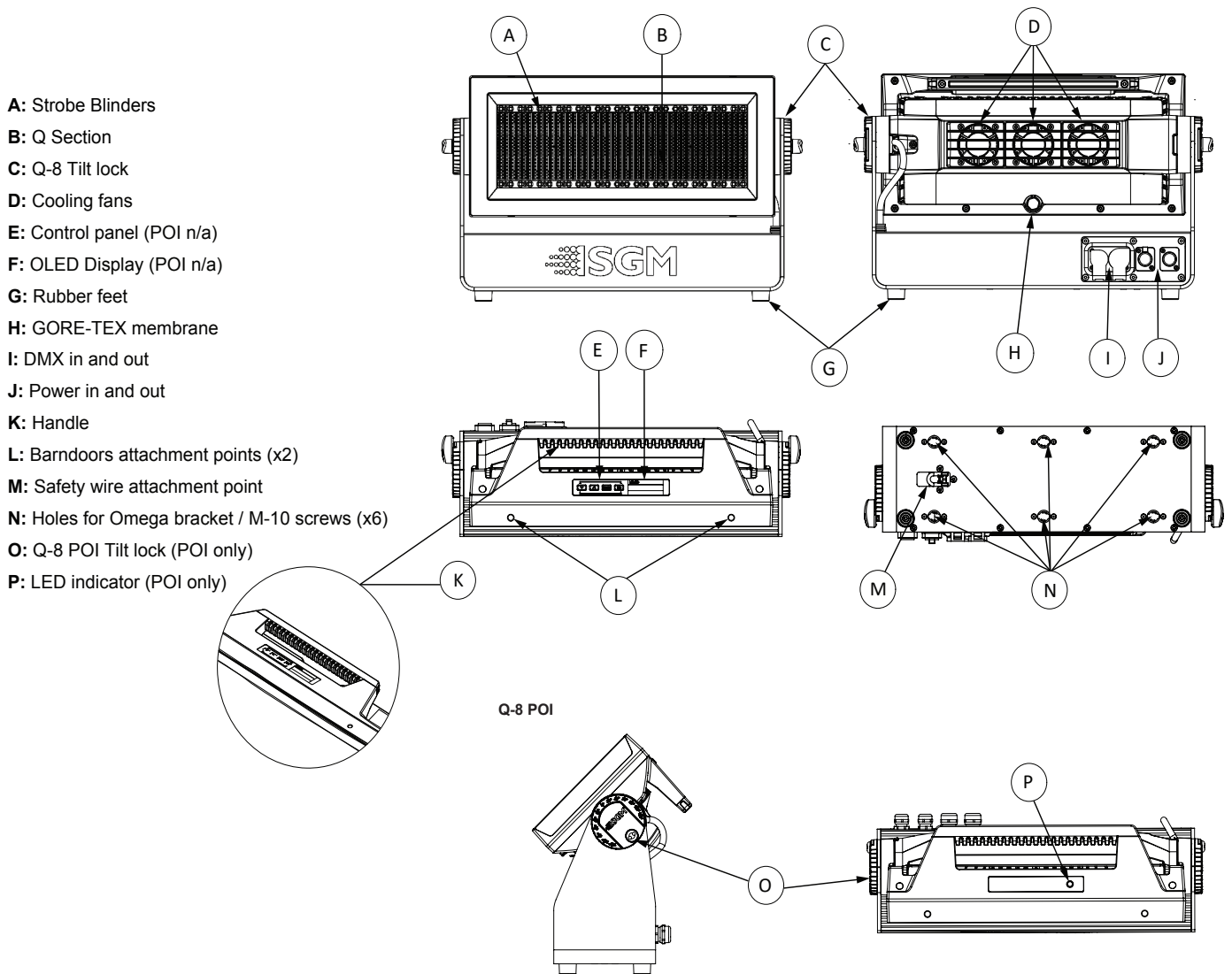


Figure 1: Parts identification and terminology

Rigging process using SGM Omega brackets

Start the rigging process by blocking the lower working area, and make sure the work is performed from a stable platform.

1. Check that the clamp/bracket is undamaged and can bear at least 10 times the weight of the fixture. Check that the structure can bear at least 10 times the weight of all installed fixtures, lamps, cables etc.
2. Bolt the clamp/bracket securely to the omega bracket with a M12/ 1/2" bolt (min. grade 8.8) and a lock nut.
3. Align the omega bracket(s) with two 1/4 turns of the Q-8 base. For standard Omega Bracket, insert the fasteners into the Q-8 base bracket, and turn both levers a full 1/4-turn clockwise to lock.
4. Working from a stable platform, hang the fixture on a truss or other structure. Tighten the clamp/bracket.
5. Install a safety wire that can bear at least 10 times the weight of the fixture. The safety wire attachment point is designed to fit a carabiner AISI316 grade.
6. Verify that there are no combustible materials, cables, or surfaces to be illuminated within 0.3 m (12 in) of the fixture.
7. Check that there is no risk of the head/yoke colliding with other fixtures or structures.

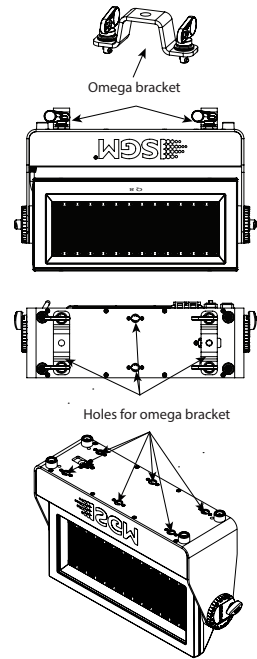


Figure 3: Base with omega bracket



WARNING! Always secure an elevated Q-8 with a safety wire

Fasten a safety wire (not shown) between the load-bearing support structure and the safety wire attachment point on the device (See figure 4).

The safety cable (not included in the package) must:

- Bear at least 10 times the weight of the device (SWL).
- Have a minimum gauge of 4 mm.
- Have a maximum length (free fall) = 30 cm (12 in).

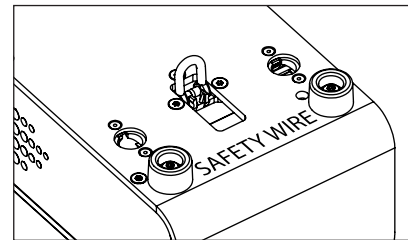


Figure 4: Safety wire attachment point

CAUTION!!

Always use a safety wire.

Make sure the slack of the safety wire is at a minimum.

Never use the handle for secondary attachment.

Tilt Lock

In standard versions, there is no need for any special tools to adjust the tilt angle.

Take the following steps for adjusting the tilt in standard Q-8:

1. Loosen both the tilt knobs (one on each side) by turning them counter-clockwise.
2. Adjust the tilt to the desired angle and hold it.
3. Lock the position by re-tightening both tilt lock knobs clockwise.

If you feel resistance when tilting the fixture, you might not have loosened the tilt lock knobs enough.

CAUTION!!

If the fixture has been operating, always allow it to cool down for 15 minutes before handling.

Exterior surface temperature after 5 min. operation = 47 °C (117 °F). Steady state = 60 °C (140 °F).

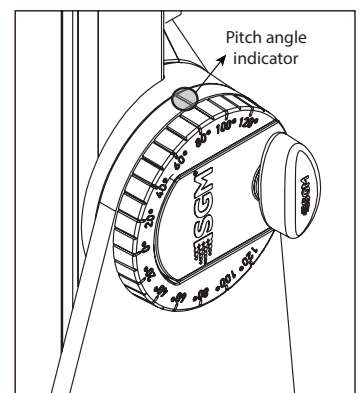


Figure 5: Tilt lock

Angle indicator

The Q-8 comes with a degree indicator ranging from -120° to 120°, which eases the adjustment to the desired tilt. The angle indicator in the wheel shows the current angle of inclination.

Connecting AC power

The Q-8 can operate on any 100–277 V, 50/60 Hz AC mains power supply. Connect a Q-8 standard to AC power using the supplied 8 mm cable (See figure 6) with a power connector or similar with a maximum of 20 A to ensure the correct ingress protection (IP rating).

The fixture must be grounded/earthed and able to be isolated from AC power. The AC power supply must incorporate a fuse or circuit breaker for fault protection.

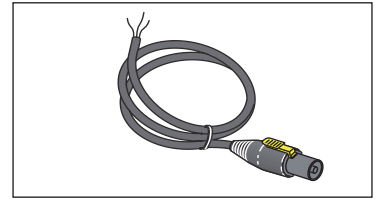


Figure 6: Q-8 Power cable (8mm)

The power cable's color coding is given in figure 7:

- Connect the black wire to live.
- Connect the white wire to neutral.
- Connect the green/yellow wire to ground (earth).

Wire	Color	Symbol	Conductor
	Black	L	live
	White	N	neutral
	green/yellow	⊥ or ⊕	ground (earth)

Figure 7: Connecting AC Power

For a temporary outdoor installation, the mains cable must be fitted with a grounded connector, intended for exterior use. For permanent installations, have a qualified electrician to wire the mains cable directly to a suitable branch circuit. The junction's ingress protection (IP) rating must be suitable for the location. Always use a junction box with a proper IP class suitable for the environment.

When installing standard type C circuit breakers, there will be no limitations due to the fixture's in-rush current.

For assistance with alternative configurations, contact your SGM representative.

PLEASE NOTE!!

The protective caps must be securely mounted on any unused DMX and power connectors in order to maintain the ingress protection (IP rating).

CAUTION!!

Do not connect the fixture to an electrical dimmer system, as doing so may cause damage.

Configuring the device

The Q-8 can be set up by using the control panel and OLED multiline display on the fixture's head or through RDM.

The OLED display is the human interface of the fixture, as it displays the current status and menu of the fixture. The display panel (See figure 8) can be used to configure individual fixture settings, check the fixture's wireless status, confirm the firmware version, and read error messages. The complete list of the menu and all commands available are listed in "Control menu" on page 14.

Before turning on the Q-8, make sure the power in the cable is properly connected. To turn off the device, simply disconnect power in the cable. When the fixture is powered on, it boots and resets before displaying the currently selected operating mode and the DMX start address. Navigate through the menus and options using the arrow buttons, and select items using the ENTER button.

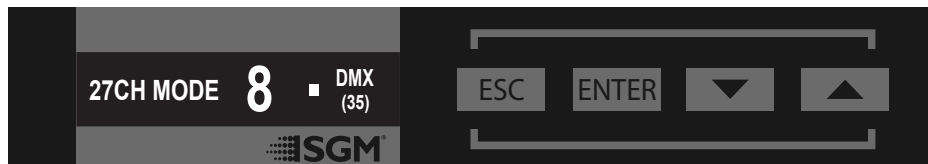


Figure 8: OLED display and control panel

Using the display panel

- Press the 'ENTER' button to access the menu or make a selection.
- Press the arrow buttons to scroll up and down in the menus.
- Press the 'ESC' button to take a step back in the menu.

Display

The OLED is illustrated in figure 9.

A - Operational mode (quick color, stand-alone, or DMX mode).

B - DMX address.

C - External data indicator (if DMX control is active).

D - External data protocol (CRMX™ or DMX).

E - Next available DMX address, depending on the fixture's DMX footprint.

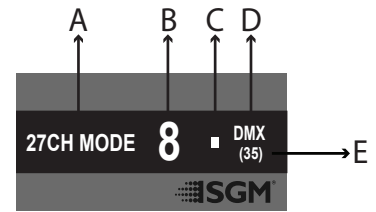


Figure 9: Display view

Please note: by default, the fixture is set to be controlled in DMX mode.

Error Indicator

If any errors are detected, the message 'ERR' will be shown in the display for easy detection.

To read the error message, select ENTER → INFO → ERRORS in the menu.

Shortcuts

- ESC + ENTER: Press ENTER to confirm factory defaults.
- ESC + UP: Display OFF.
- ESC + DOWN: Set up new DMX address; keep ESC and press ENTER to confirm.
- UP + DOWN arrows simultaneously = flip the display upside-down.

Connecting to a DMX control device

The Q-8 is controllable using a DMX control device, and it can be connected using either a DMX cable, or via the fixture's built-in CRMX wireless receiver system.

When using a cabled DMX system, connect the DMX-In cable to the input connector and DMX-Out cable to the output, both on the rear of the fixture's base (chassis mounted male and female 5-pin XLR plugs). For outdoor installations, use only IP-rated XLR connectors suitable for outdoor use.

In standard fixtures, if using a wireless DMX system, remember to use the protective caps in any unused DMX connector in order to maintain the fixture's IP rating.

NOTE: SGM fixtures provide a passive DMX Thru signal as DMX Out instead of an active output signal.

Wireless DMX

The Q-8 is designed to look for wireless transmitters in 'connect' state when this option is not yet enabled.

To connect the Q-8 to a wireless transmitter:

- Log off the currently paired wireless transmitter - see below "Disconnecting a wireless transmitter".
- Press the connect button on the wireless transmitter.
- Confirm that the fixture has paired with the wireless transmitter.

Disconnecting a wireless transmitter

To disconnect the fixture from the currently paired wireless transmitter, go to SETTINGS → WIRELESS DMX → LOG OFF in the menu.

Signal priority

The Q-8 can be paired to an active wireless transmitter simultaneously, when connected to a cabled DMX. The fixture will prioritize cabled DMX over wireless DMX.

The active input type is displayed under the wireless signal strength indicator. The signal strength can be also checked via RDM data by using an external RDM device (e.g. the SGM A-4).

Configuring the device for DMX control

About DMX

The Q-8 can be controlled using signals sent by a DMX controller on a number of DMX channels.

DMX is the USITT DMX512-A standard, based on the RS-485 standard. The signal is sent as DMX data from a console (or a controller) to the fixtures via a shielded twisted pair cable designed for RS-485 devices.

The cables can be daisy chained between the fixtures, and up to 32 fixtures can be connected to the same DMX link. Up to 300 meters (1000ft.) of cable is achievable with high quality DMX cables. In installations with standard fixtures, remember that all DMX links must be terminated in the last fixture by connecting a DMX termination plug to the last fixture's 5 pin DMX out connector.

PLEASE NOTE:

- **Standard microphone cable is not suitable for transmitting DMX.**
- **Up to 32 fixtures can be linked to the same DMX chain. Additional fixtures will overload the link.**
- **The last fixture must always be fitted with a DMX termination plug to the fixture's DMX out.**

DMX Start address

The Q-8 can be operated in different DMX modes. For any of the modes, the first channel used to receive data from a DMX control device is known as the DMX start address.

For independent control, each Q-8 must be assigned its own DMX start address. For example, if the first standard Q-8 is set to 27ch CTC DMX mode with a start DMX address of 113, the following Q-8 in the DMX chain should then be set to a DMX address of 140. As the first fixture uses all the first 27 DMX channels, including channel 113, the next available channel is 140 ($113+27=140 >> 140$).

If two or more fixtures of the same type have the same DMX address, and are set to the same mode, they will behave identically. Incorrect settings will result in unpredictable responses from the lighting controller. Address sharing can be useful for diagnostic purposes and symmetrical control.

NOTE!!

When using power link connection, make sure the maximum power capacity is not exceeded in order to avoid short-circuit and damaging of the fixture.

Set/edit DMX address

The DMX address is shown on the OLED display in the control panel. To change the address setting, press the up and down arrows. When the desired address is displayed, press ENTER to save the setting.

For your convenience, the next available DMX address is displayed to the right. Note that channel spacing is determined by the number of channels of the DMX mode. See the instructions on how to use the display panel in "Configuring the device" on page 9

The Q-8 also offers the option to set the DMX address through RDM.

DMX modes

The Q-8 operates in different modes.

All DMX charts are available at www.sgmlight.com under the respective products or upon request via support@sgmlight.com.

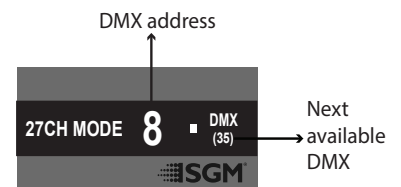


Figure 10: Set/edit DMX address

Q-8 Connection Diagram

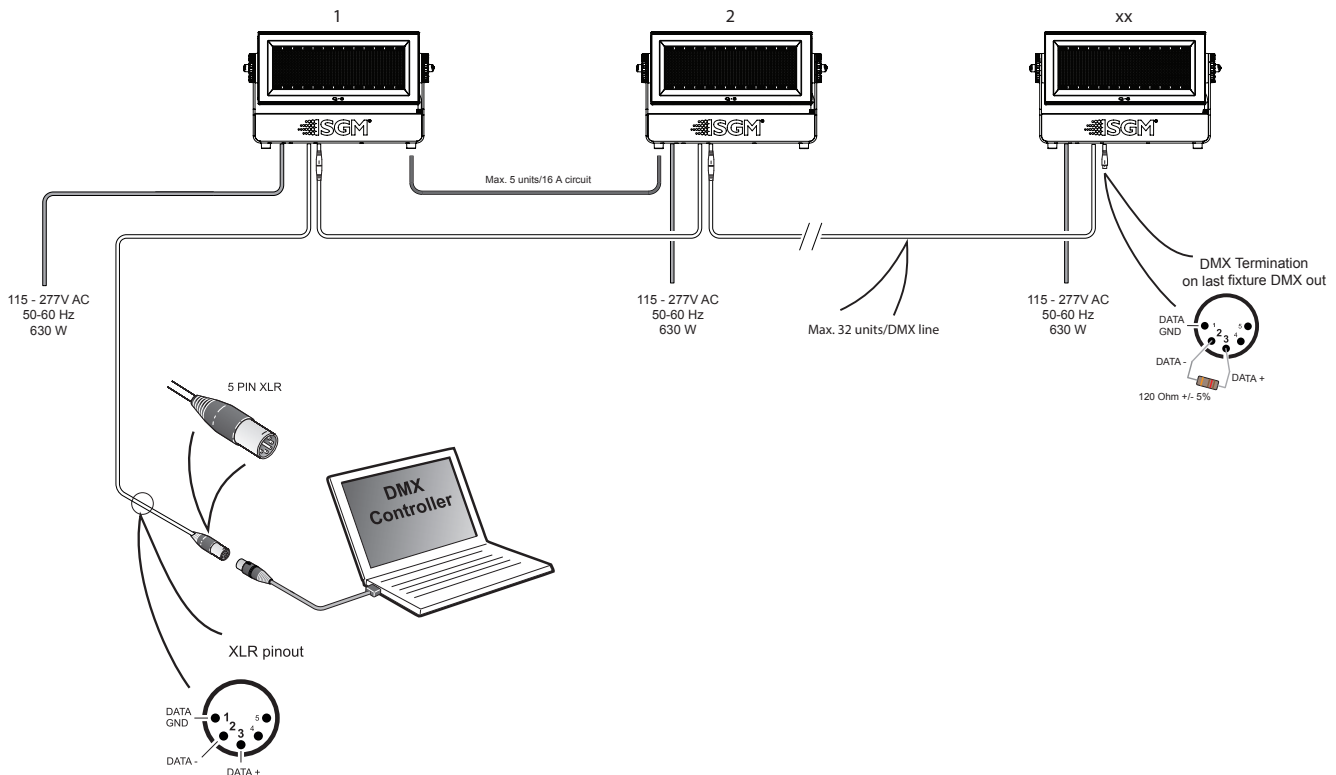


Figure 11: Q-8 connection diagram

Using standalone operation

The fixture can be pre-programmed to perform a series of up to 24 scenes, which the fixture will be playing in a continuous loop. Up to three standalone programs can be defined and run from the menus, and one of the programs can be set to run by default whenever the fixture is powered on.

Each of the three available standalone programs contains 24 user-definable scenes with its own RGB and shutter settings.

Each scene has a definable fade-in time for the transition from one color to the next, and a wait (static) time of up to 120 minutes and 59 seconds.

To define a standalone program, press ENTER → MANUAL → EDITOR.

The standalone mode of the fixture's startup is enabled by selecting:

ENTER → SETTINGS → STARTUP MODE → SELECT STARTUP MODE → STANDALONE.

To select the fixture's startup program, press:

ENTER → SETTINGS → STARTUP MODE → STARTUP PROGRAM.

The chosen program will run its length cyclically whenever the fixture is powered on.

To run an internal program, go to:

ENTER → MANUAL → RUN PROGRAM.

To stop an active internal program, go to:

ENTER → MANUAL → STOP PROGRAM.

PLEASE NOTE

The fixture will not be playing the pre-programmed scenes if it is receiving DMX signal

Setting a static color manually

The Q-8 can be configured to display a predefined and static color.

To set up a static color, select ENTER → MANUAL → QUICK COLOR EDITOR. Note that once the MANUAL → QUICK COLOR EDITOR settings are changed, the fixture is set by default to automatically start in quick color mode, whenever it is powered on. This can be reset through the menu SETTINGS → STARTUP MODE → SELECT STARTUP MODE.

The current quick color program can always be stopped by selecting MANUAL → STOP PROGRAM in the menu.

See "Control menu" on page 14 for detailed information about the manual menu.

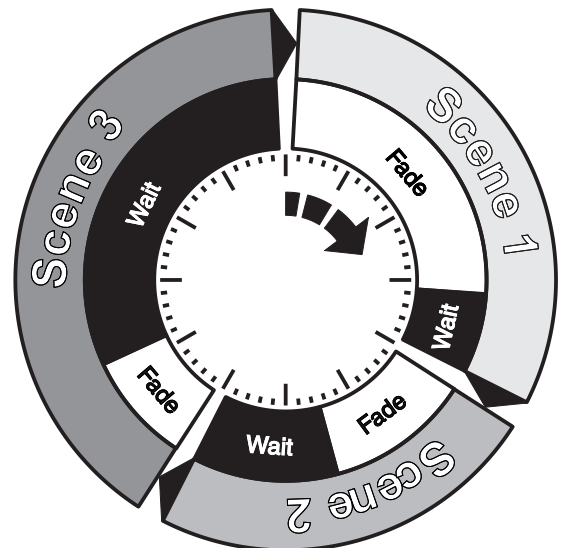


Figure 12: Standalone operation

Fixture properties

Factory default

When restoring factory defaults in the Q-8, the following settings will be set:

- DMX address = 1.
- DMX mode = Default mode (27 channel).
- Startup mode = DMX.
- Display saver = Off.
- Flip screen = Off.
- RDM device label set to = Fixture type name.
- Internal program reset.

Effects

The Q-8 is a luminaire with RGBW panels and white LED stripes (see figure 13). A total of eight individually controllable segments, four of which generate wide-ranging color effects and pixel-mapping combinations, and four for dedicated white strobe blinders.

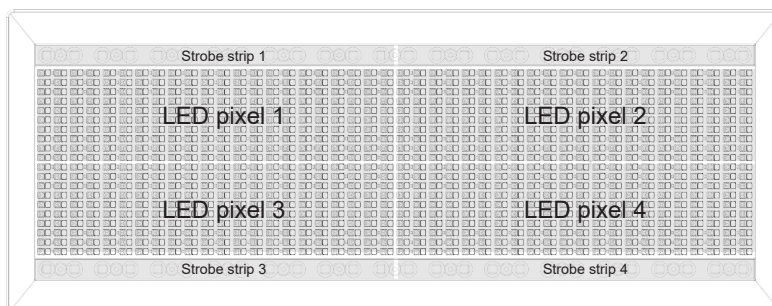


Figure 13: Q-8 Pixel segments

High-speed strobe effect

The Q-8 features two stripes of dedicated strobe light. These strobes have multiple modes, including: random strobe, pulse effects and pulse effects with variable speed.

Beam angle

The standard Q-8 offers a native 110° beam angle in the Q section, and a native 84° beam angle in the strobe blinders. These can be modified using different optional magnetic holographic filter frames and barndoors.

Individual fixture settings

Flipping the OLED display

If the fixture is installed hanging upside down, it might be useful to flip the display so that it is easier to read.

To flip the display, press ENTER and select SETTINGS → FLIP DISPLAY, or press the up and down buttons on the control panel at the same time.

Setting the OLED display saver

By default, the OLED display turns off after a short period when the control panel is not in use. The display can also be set to dim down. Pressing any key will always turn on the display or restore it to normal brightness.

To configure the display settings, press ENTER → SETTINGS → DISPLAY SAVER.

NOTE: To avoid the risk of display deterioration caused by long term use, it is recommended to select the setting → DISPLAY OFF.

Setting the fan mode

For operating environments where low-noise is a requirement or where the fixture will be operating in high temperatures, it is possible to adjust the default fan speed by going to SETTINGS → FAN MODE in the menu.

Control menu

Level 1	Level 2	Level 3	Function	
Mode	Select Mode	-	Select DMX mode.	
Info	Product Type	-	Displays product type.	
	Firmware Version	-	Displays installed firmware version.	
	Hardware Revision	-		
	Serial Number	-	Displays SGM serial#.	
	RDM ID	-	Displays RDM ID (Unique RDM ID for identification).	
	DMX View	Up to 504 DMX addresses	Displays received DMX levels.	
	Temperatures	MAIN TEMP		Displays fixture temperatures.
		RGB L TEMP		
		RGB R TEMP		
		STROBE LB TEMP		
		STROBE RB TEMP		
		STROBE LT TEMP		
		STROBE RB TEMP		
		HUMIDITY BASE		
		HUMIDITY HEAD		
VOLTAGE 50V				
VOLTAGE 16V				
WIRELESS SIGNAL				
WIRELESS PAIRED				
RGBW PWM				
FIXTURE DERATING				
Power on time	-	Displays fixture total power on time.		
LED On Time	-	Displays LED total power on time. (R, G, B, W).		
Errors	-	Displays error codes.		
Settings	Wireless DMX	Wireless log off	Send Log off command to the CRMX System.	
		BRIDGE DMX	Displays strength of the wireless connection.	
	Startup Mode	Select Startup Mode	Default operating mode when fixture is powered on: STARTUP MODES: 1. DMX (Factory default) 2. Quick color 3. Program 1 4. Program 2 5. Program 3 6. High speed	
	DMX loss function	DMX HOLD		
		ALL ON		
		BLACKOUT		
		QUICK COLOR		
	Fan Mode	Auto	Adjusts fan speed relative to internal fixture temperature.	
		Low Noise	Low fan speed for quiet operation.	
		Fan off	Turns off the fan completely.	
Factory Default	Standard	Reset the fixture to factory default settings.		
Service Pin				
Service Menu				
Manual*	Quick Color Editor	Red	Static quick color - red mix (0-255). Sets fixture to quick color startup mode.	
		Green	Static quick color - green mix (0-255). Sets fixture to quick color startup mode.	
		Blue	Static quick color - blue mix (0-255). Sets fixture to quick color startup mode.	
		White	Static quick color - white mix (0-255). Sets fixture to quick color startup mode.	
	Macro Color Editor	Macro color		
	High Speed Editor	High speed mode		
	Program Editor	Program		
	Quick Color Run	-		
	Macro Run	-		
	High Speed Run	-		
	Program Run	1, 2 or 3	Run internal sequence 1, 2 or 3.	
Stop	-	Stop current running internal sequence or Quick Color.		

*Continued from previous page

Level 1	Level 2	Level 3	Function
Manual	Editor	Program	Currently selected program (1, 2 or 3).
		Scene	Currently selected scene (1-24).
		Red	Red value in currently selected scene (0-255).
		Green	Green value in currently selected scene (0-255).
		Blue	Blue value in currently selected scene (0-255).
		Strobe	Strobe blinders intensity (0-255).
		Strobe Function	Strobe blinders behaviour (0-20).
		Fade Time (Min.)	Fade-in (transition) time to current scene in min. (0-511).
		Fade Time (Sec.)	Fade-in (transition) time to current scene in sec. (0-59).
		Wait Time (Min.)	Wait (static) time in current scene in min. (0-998).
		Wait Time (Sec.)	Wait (static) time in current scene in sec. (0-59).
Test	LED panel test		Test the LED panels of the fixture.
	Display test		Test the fixture display.

RDM

Supported RDM functions

The Q-8 features are supported via various RDM functions.

RDM (Remote Device Management) is a protocol enhancement to USITT DMX512 that allows bi-directional communication between the fixtures and the controller over a standard DMX line. This protocol will allow configuration, status monitoring and management.

You will need an RDM controller to get control over the supported parameters. See the tables below for supported RDM functions.

RDM Functions

PID	Actions allowed	Name
0x0082	-	Device Label
0x0081	-	Manufacturer Label
0x00E0	-	DMX Personality
0x00E1	-	DMX Personality description
0x0200	-	Sensor Definition
0x0201	-	Sensor Value
0x0080	-	Device Model Description
0x0400	-	Device Hours
0x0051	-	Parameter Description
0x0501	-	Display Level
0x0500	-	Display Invert
0x0090	-	Factory Defaults

PID	Actions allowed	Name
0x1001	-	Reset Device
0x0120	-	Slot info
0x0121	-	Slot Description
0x0122	-	Default Slot Value
0x8626	SET	CRM Log Off
0x8060	GET	Serial Nr.
0x8632	GET/SET	SMPS Calibration
0x8625	GET / SET	FAN 0=AUTO 1=LOW 2=HIGH 3=FULL
0x8634	GET/SET	0=HOLD 1=LOW 2=HIGH 3=Q COLOR
0x8637	GET/SET	CRM Bridge Mode

Please note: The RDM controller communicates with the fixtures to show only the available sensors for this fixture. The table is subject to change without notice.

Sensors

RDM enables various sensor readouts for remote device monitoring. See the table below for sensors and sensor types.

Name	Sensor Type
Mainboard	Temperature
RGB Left	Temperature
RGB Right	Temperature
Strobe Left Bottom	Temperature
Strobe Right Bottom	Temperature
Strobe Left Top	Temperature
Strobe Right Top	Temperature
Humidity Base	Other
Humidity Head	Other

Name	Sensor Type
Wireless Signal Strength	Other
Wireless Paired	Other
Voltage 50 V	Voltage
Voltage 16 V	Voltage
RGBW PWM	Other
Fixture Derating	Other
Base	Temperature

Please note: The RDM controller communicates with the fixtures to show only the available options for each RDM function. The table is subject to change without notice.

Troubleshooting

Problem	Potential cause(s)	Remedies
Fixture does not respond or appears to be completely dead.	No power to the fixture.	Confirm that the power is switched on, confirm that the cables are plugged in. If the cause cannot be detected, contact your local SGM dealer or support@sgmlight.com
Fixture suddenly turned off.	Power was turned off.	Check the power supply, switches and breakers.
Fixture suddenly stopped responding.	The wireless transmitter or connections were disconnected/tampered with.	Inspect the wireless transmitter and connections.
	DMX cables were disconnected.	Inspect DMX cables.
	DMX address changed.	Check settings according to patch.
Fixture operates irregularly / abnormally.	DMX cable polarization is inverted (pin 2 + 3).	Install a phase-inverter or replace cables.
	DMX link is not terminated.	Install a XLR 120 ohm DMX termination at the end of the DMX link.
	Corrupted DMX cable.	Replace or repair defective cables and/or connectors.
	The fixture operates an internal program.	Go to MENU → MANUAL → STOP PROGRAM.
	A corrupted fixture generates noise/disruptions on the DMX link.	Track and isolate the corrupted fixture.
Color is uneven.	The minimum values are out of calibration.	Contact your local SGM dealer or support@sgmlight.com
	The SGM Calibration Data-set has been lost.	Contact your local SGM dealer or support@sgmlight.com

Accessories

The Q-8 can be used with various accessories such as brackets, barndoors, filter frames, and anti-glare shields. All Q-8 accessories are available at www.sgmlight.com. You can also contact your local SGM dealer to learn more.

Barndoors

The Q-8 features 4-way and 8-way barndoors. The barndoors are designed and intended to be mounted on the fixture without the use of any tools.

To install the barndoors:

1. Attach the lower plug-in pins to the bottom part of the Q-8 front.
2. Pull the two upper lock pins and fit the upper part of the barndoor in the Q-8 head.
3. Release the lock pins and check that they are correctly in place

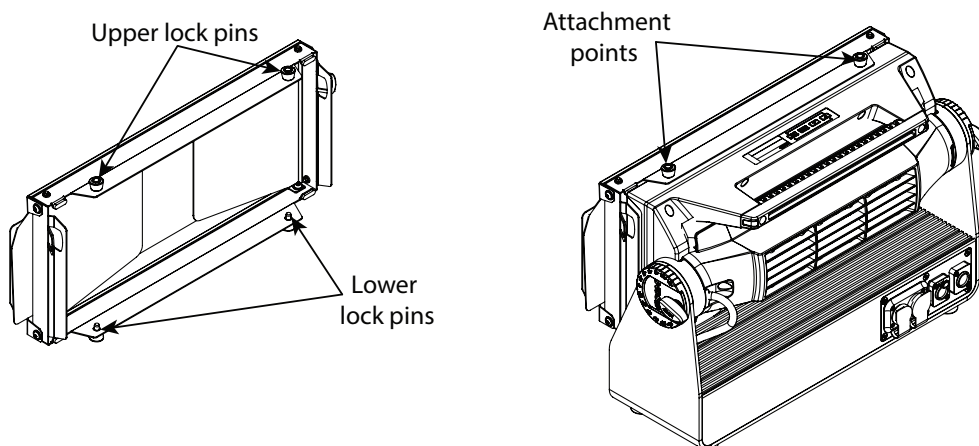


Figure 20: Q-8 Barndoors

Filter frames

The Q-8 features various optional magnetic, holographic filter frames such as elliptical diffusers.

To install them, it is only required to position the filter frame in front of the light, and it will quickly snap into place.

The frames are fitted with a safety wire to secure the frame to the handle of the Q-8.

Filter frames and barndoors can both be mounted and work together on the same fixture.

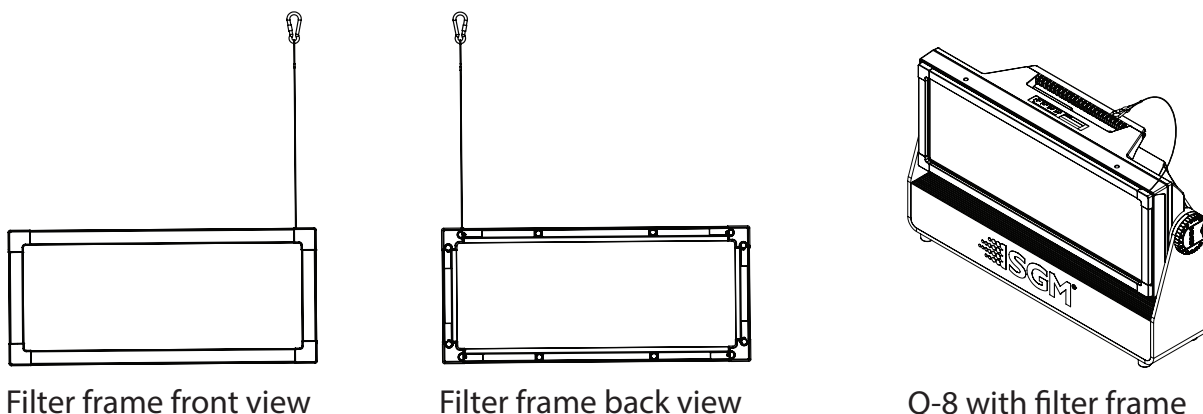


Figure 21: Q-8 Filter frames

PLEASE NOTE!!

The barndoors and the filter frames are not intended for permanent outdoor installations.

Anti-glare shields

The Q-8 supports two different types of optional anti-glare shields:

- **Full anti-glare shield** - covers the full fixture's opening.
- **Half anti-glare shield** - covers half of the fixture's opening.

Using the anti-glare shields will remove any unwanted glare and reflections.

The anti-glare shields are easily mounted by removing the two tilt lock bolts, one on each side of the fixture. Refit the anti-glare shield in position and screw both tilt locks bolts again.

Note: The anti-glare shields are suitable for both permanent outdoor and indoor installations.

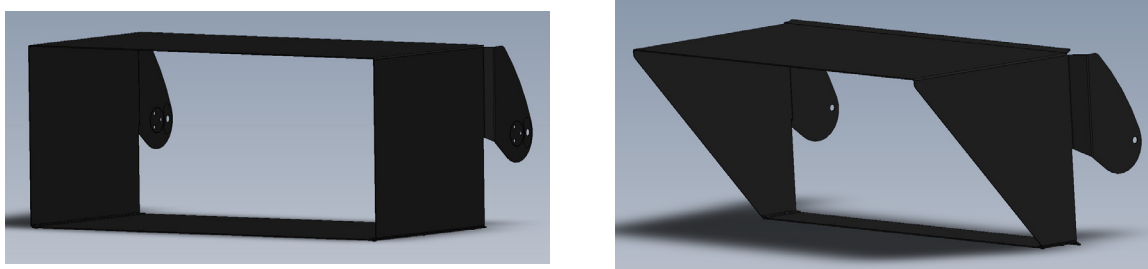


Figure 22: Full and half anti-glare shields

For further information and other possibilities visit www.sgmlight.com or contact your local SGM dealer.

Maintenance

SGM Vacuum Test kit

The Vacuum Test Kit is an accessory suitable for all SGM IP-rated fixtures, made for testing the IP validity after having reassembled the fixture.

In order to ensure the IP rating of the Q-8, it's highly recommended that the fixture is always vacuum-tested after installing or swapping any part that might compromise the IP rating, e.g. swapping the front lens.

SGM disclaims liability for any damage occasioned by non-use, or inability to use the vacuum test kit after reassembling the fixture.



Figure 22: SGM Vacuum Test Kit

SGM Uploader cable

The SGM USB to DMX cable is an accessory used mainly to update the fixture with the latest SGM firmware. See below how to update the fixture with the latest firmware.

The SGM Uploader cable is also used for controlling the DMX values channel by channel through the Firmware Uploader Tool software (available for download at www.sgmlight.com).



Figure 23: SGM Uploader cable

Upgrading the firmware

The firmware installed in the fixture can be identified in different ways:

- When powering on the fixture, the display shows the currently installed firmware version (only standard).
- Go to MENU → INFO → FIRMWARE VERSION (only standard).
- Through RDM (POI and standard).

We recommend that the fixture's firmware is always up-to-date. The latest firmware version is available for download under the respective product at www.sgmlight.com.

To update your Q-8 with the latest firmware, use the SGM USB 5-Pin-XLR uploader cable, and a Windows-based computer with the SGM Firmware Tool software installed (available for download at www.sgmlight.com).

Additionally, the Firmware Tool software offers a simple DMX controller, featuring 512 DMX channels for test purposes.

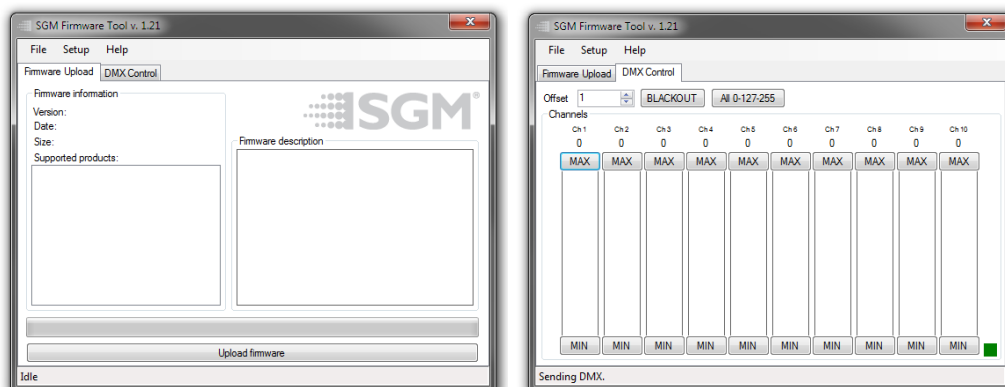


Figure 24: SGM Firmware tool

Cleaning

SGM luminaires with IP65 or IP66 rating do not need any cleaning procedures inside the fixture. However, cleaning the front lens may be needed to achieve the maximum light output after exposure to dust, sand or dirt. Exterior housing can also be cleaned to get a better look. To maintain adequate cooling, fans must be cleaned periodically.

Whenever necessary, clean the Q-8 using a soft cloth dampened in a solution of water and mild detergent. Do not use products that contain solvents, abrasives or caustic agents for cleaning, as they can cause damage to hardware, cables, and connectors.

The level of cleaning required will vary greatly depending on the operating environment and installation. Therefore, it is recommended to do frequent check-ups the first few weeks of operation to see how often cleaning is necessary.

Fixtures and accessories

The Q-8 can be used with a variety of accessories.

Contact your local SGM dealer to get the latest pricing and news about available accessories.

Please note: the products listed below are subject to change without notice.

Ordering information

Q-8 Flood Strobe, Std, BL.....	P/N: 80031750
Q-8 Flood Strobe, Std, WH.....	P/N: 80031751
Q-8 Flood Strobe, Std, CU.....	P/N: 80031752
Q-8 Flood Strobe, POI, BL.....	P/N: 80251750
Q-8 Flood Strobe, POI, WH.....	P/N: 80251751
Q-8 Flood Strobe, POI, CU.....	P/N: 80251752

Q-8 Accessories

4-way barndoors for P-6/Q-8, medium, BL.....	P/N: 83061173
8-way barndoors for P-6/Q-8, medium, BL.....	P/N: 83061186
Full anti-glare shield, medium, BL.....	P/N: 83061176
Full anti-glare shield, medium, WH.....	P/N: 83061177
Half anti-glare shield, medium, BL.....	P/N: 83061178
Half anti-glare shield, medium, WH.....	P/N: 83061179
Filter frame for P-6 / Q-8 – medium angle.....	P/N: 83061170
Filter frame for P-6 / Q-8 – wide angle.....	P/N: 83061171
Filter frame for P-6 / Q-8 – elliptical horizontal.....	P/N: 83061168
Filter frame for P-6 / Q-8 – elliptical vertical.....	P/N: 83061169
Filter frame extender for P-6 / Q-8.....	P/N: 83061191
DoPchoice Snapbag for Q-8.....	P/N: 83061189
DoPchoice Snapgrid for Q-8.....	P/N: 83061190
Omega bracket with ¼ turn bolts, BL.....	P/N: 83060602
Omega bracket with ¼ turn bolts, WH.....	P/N: 83061206
28 mm spigot adapter for omega bracket.....	P/N: 83060639
Flight case for 4 pcs of P-6 / Q-8 incl. accessories.....	P/N: 82051509
A-4 Art-Net to DMX converter.....	P/N: 80070217
Power cable with IP connector.....	P/N: 07860275
SGM USB uploader cable.....	P/N: 83062011
Vacuum Test Kit.....	P/N: 83061136

Support hotline

SGM offers 24/7 technical support hotline.

Worldwide: +45 3840 3840

US: +1 407-242-6217

support@sgmlight.com

Approvals and certifications

Conforms to	2014/35/EU: Low Voltage Directive
Conforms to	2014/30/EU: EMC Directive
Conforms to	2011/65/EU: RoHS2 Directive



The information in this document is subject to change without notice. For the latest information, visit www.sgmlight.com



SGM Light A/S

Sommervej 23

8210 Aarhus V

Denmark

Tel: +45 70 20 74 00

info@sgmlight.com

www.sgmlight.com